

TEAC

For Service Manuals Contact
MAURITRON TECHNICAL SERVICES
8 Cherry Tree Rd, Chinnor
Oxon OX9 4QY
Tel:- 01844-351694 Fax:- 01844-352554
Email:- enquiries@mauritron.co.uk

SERVICE MANUAL

A-H500i

Integrated Stereo Amplifier

NOTES

- PC boards shown are viewed from parts side.
- The parts with no reference number or no parts number in the exploded views are not supplied.
- As regards the resistors and capacitors, refer to the circuit diagrams contained in this manual.
- \triangle Parts marked with this sign are safety critical components.
They must be replaced with identical components- refer to the appropriate parts list and ensure exact replacement.
- Parts of [] mark can be used only with the version designated.
[J]: JAPAN [US]: U.S.A. [C]: CANADA
[E]: EUROPE [UK]: U.K. [GE]: GENERAL EXPORT

CONTENTS

SPECIFICATIONS	2
IC FUNCTION (μ -COM BVIANAM1187A)	3
BIAS CURRENT ADJUSTMENT	4
WIRING DIAGRAM	5
BLOCK DIAGRAM	7
SCHEMATIC DIAGRAM	9
PRINTED CIRCUIT BOARDS	17
EXPLODED VIEW	21
ELECTRICAL PARTS LIST	26

Specifications

Power output	: 50W + 50W (8 Ω , 1KHz, 0.1%)	Frequency response	: 5Hz to 80KHz
Total harmonic distortion	: 0.03% (45W, 1KHz, 8 Ω)	Tone control	
S/N Ratio (Input Short)		Bass	: \pm 10dB (100Hz)
Phono	: 67dB (IHF-A)	Treble	: \pm 10dB (10KHz)
CD, Tuner, Aux, Tape	: 95dB (IHF-A)	Required speaker impedance	
CD direct	: 100dB (IHF-A)		: 4 Ω to 16 Ω
Input Sensitivity/ Impedance		Power consumption	: 120W [J] : 360W [EUR]
Phono(MM)	: 2.8mV/10K Ω	Power requiremnts	: AC 100V, 50~60Hz [J] : AC 230V, 50Hz [EUR]
CD, Tuner, Aux, Tape	: 180mV/10K Ω	Dimensions (W \times H \times D)	: 285 \times 131 \times 329mm
Maximun Input level		Weight(net)	: 6.9Kg
Phono	: 130mV		
CD, Tuner, Aux, Tape	: 9V		
Channel Separation(Input Short)	: 65dB (1KHz, 1W, D.B.F)	Standard accessories	
Residual noise	: 0.5mV	Remote control unit	: 1
		Operator's manual	: 1

- Improvements may result in specifications and features changing without notice.
- Illustrations may differ slightly from production models.

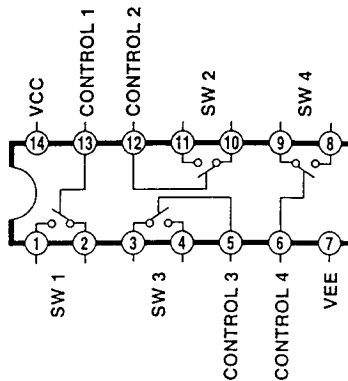
IC FUNCTION (MI-COM BVIANAM 1187A)



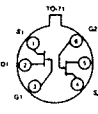





Pin No.	PIN NAME	I/O	DESCRIPTION
1	FUNC MUTE	O	Function, Mute ON/OFF Output
2	-20dB MUTE	O	-20dB Mute ON/OFF Output
3	POWER MUTE	O	Power Mute Output
4	SOURCE REC, OUT	O	Source recoding Output
5	OPTION	I	Option port "HIGH" LEVEL
6	OPTION	I	
7	PROTECT IN	I	Protect Input
8	STBY	O	Stand by LED ON/OFF Output
9	POWER ON/OFF	O	Power ON/OFF Output
10	AUX	O	Function LED ON/OFF Output
11	PHONO	O	Function LED ON/OFF Output
12	N/C		Non connection
13	TUNER		
14	CD	O	Function LED ON/OFF Output
15	TAPE 1		
16	TAPE 2/MD		
17	Vss	I	GROUND
18, 19	N/C	I	Non connection
20	RESET	I	Device reset pluse input
21	XL 1	O	Crystal element connection terminal
22	XL 2	I	
23	TAPE 2 → 1	O	TAPE1,2 Recording Output
24	TAPE 2 → 1		
25, 26	KEY OUT	O	Key mqtrix singal IN/OUT PORT
27, 28	KEY IN	I	
29	TAPE2 REC IN	I	TAPE2,1 Recording Input
30	TAPE1 REC IN	I	
31	SOURCE REC, OUT	O	Source recoding Output
32, 34	N/C		Non connection
33	FUNC DOWN	I	Function UP/DOWN Input
35	FUNC UP	I	
36	BUS IN	I	System control simgal Input
37	REMOTE IN	I	Remote control simgal Input
38	N/C		Non connection
39	VDD	I	+5V
40	BUS OUT	O	System control singal Output
41	N/C		Non connection
42	VR UP	O	Volum UP/DOWN Output
43	VR DOWN	O	
44	CD DIRECT	O	CD Direct led ON/OFF Output

For Service Manuals Contact
MAURITRON TECHNICAL SERVICES
 8 Cherry Tree Rd, Chinnor
 Oxon OX9 4QY
 Tel:- 01844-351694 Fax:- 01844-352554
 Email:- enquiries@mauritron.co.uk

IC BLOCK DIAGRAM

LC4966BH

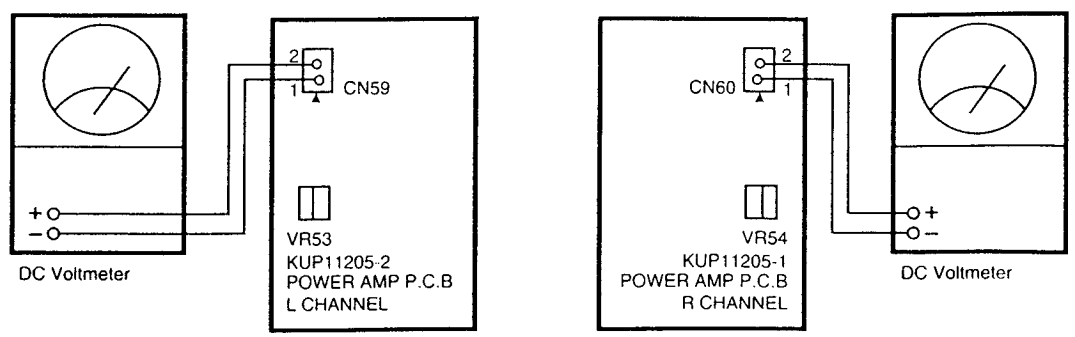


<p>TO-92L</p>  <p>1. Emitter 2. Collector 3. Base</p> <p>123</p> <p>KSA1175Y KSAC2785Y KSD1021Y KSB811Y KSR1206 KSR2206 KSR1210</p>	<p>TO-92</p>  <p>1. Emitter 2. Collector 3. Base</p> <p>123</p> <p>KTC2878BT KTC3198Y 2SA1268GR 2SAC3200GR KTA1266Y</p>	<p>TO-71</p>  <p>1. G: Gate 2. D: Drain 3. S: Source</p> <p>KTK117Y 2N5566</p>	<p>TO-92L</p>  <p>1. Emitter 2. Collector 3. Base</p> <p>123</p> <p>KSA916Y KSC2316Y</p>
<p>TO-126</p>  <p>1. Emitter 2. Collector 3. Base</p> <p>123</p> <p>2SA1209S 2SC2911S</p>	<p>TO-220</p>  <p>1. Base 2. Collector 3. Emitter</p> <p>123</p> <p>2SC4883A 2SA1859A 2SD1585L KSD288Y</p>	<p>TO-220</p>  <p>1. INPUT 2. GND 3. OUTPUT</p> <p>123</p> <p>MC7812C</p>	<p>TO-3P</p>  <p>1. Base 2. Collector 3. Emitter</p> <p>1 2 3</p> <p>2SC4467 2SA1694</p>

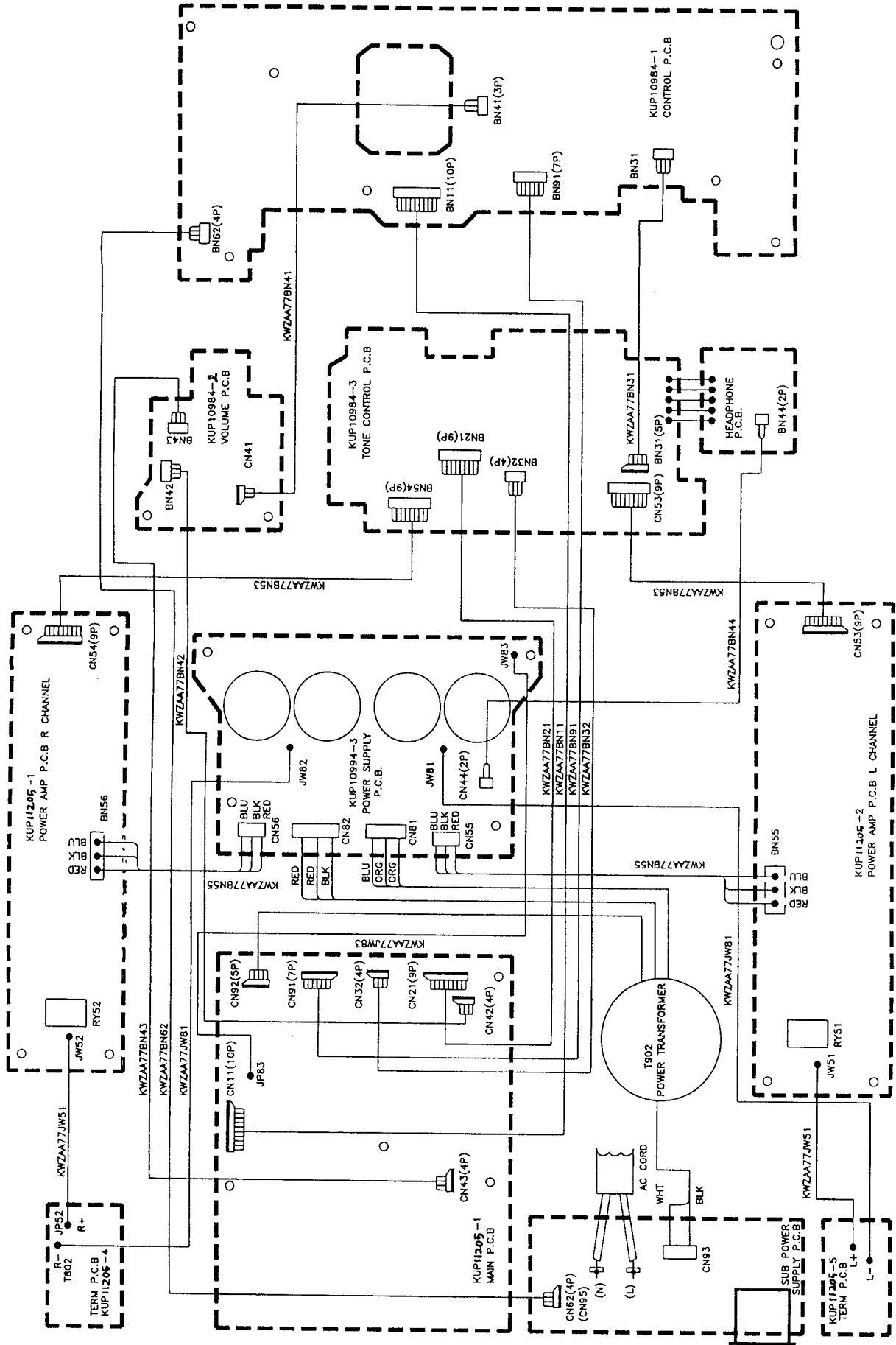
For Service Manuals Contact
MAURITRON TECHNICAL SERVICES
 8 Cherry Tree Rd, Chinnor
 Oxon OX9 4QY
 Tel: 01844-351694 Fax: 01844-352554
 Email: enquiries@mauritron.co.uk

BIAS CURRENT ADJUSTMENT

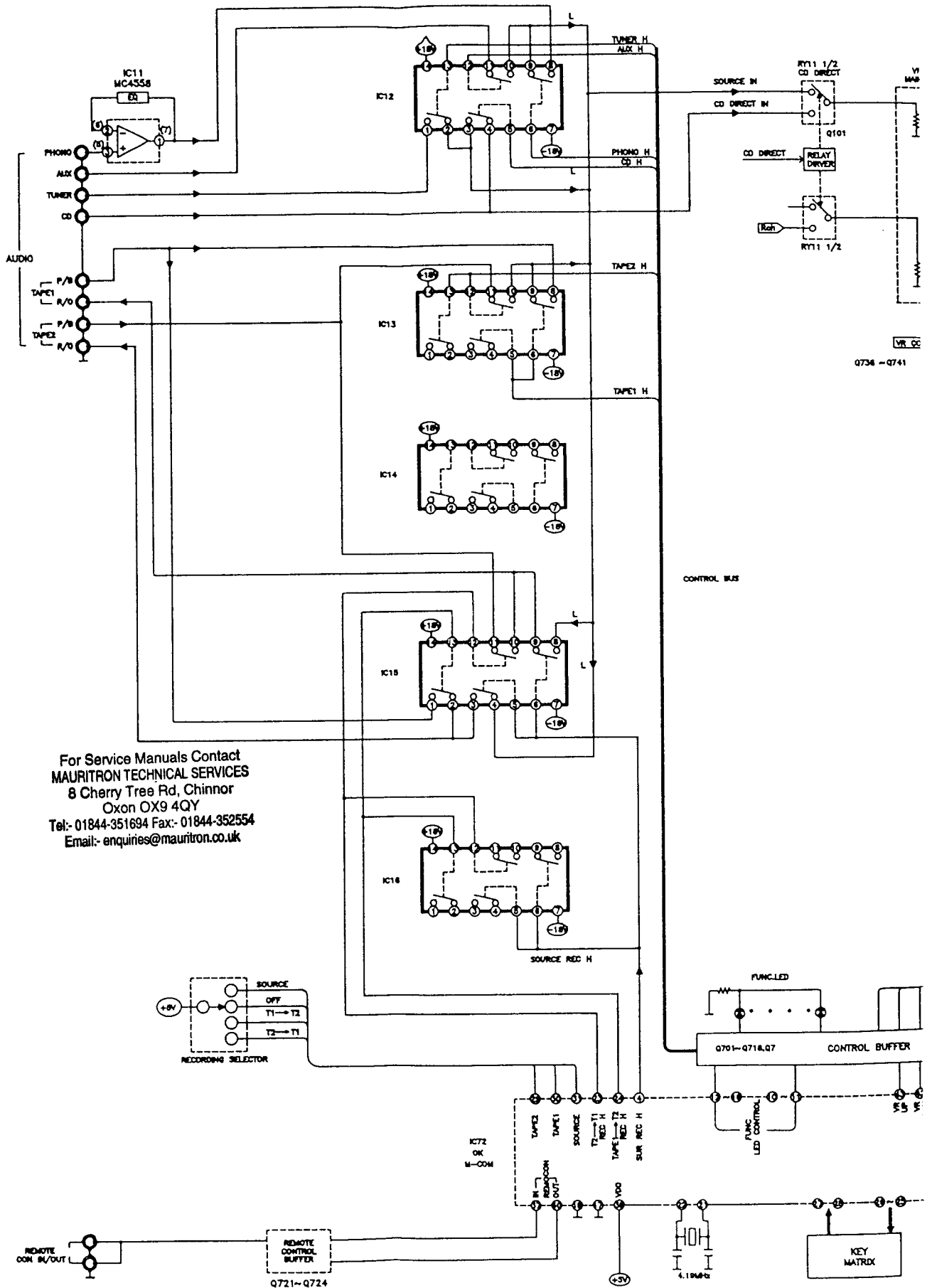
1. Test equlment connection is shown in figure.
2. Place unit volume is minimum position.
3. Adjust VR53("L"CH), VR54("R"CH) so that the DC Voltage is 11mV.

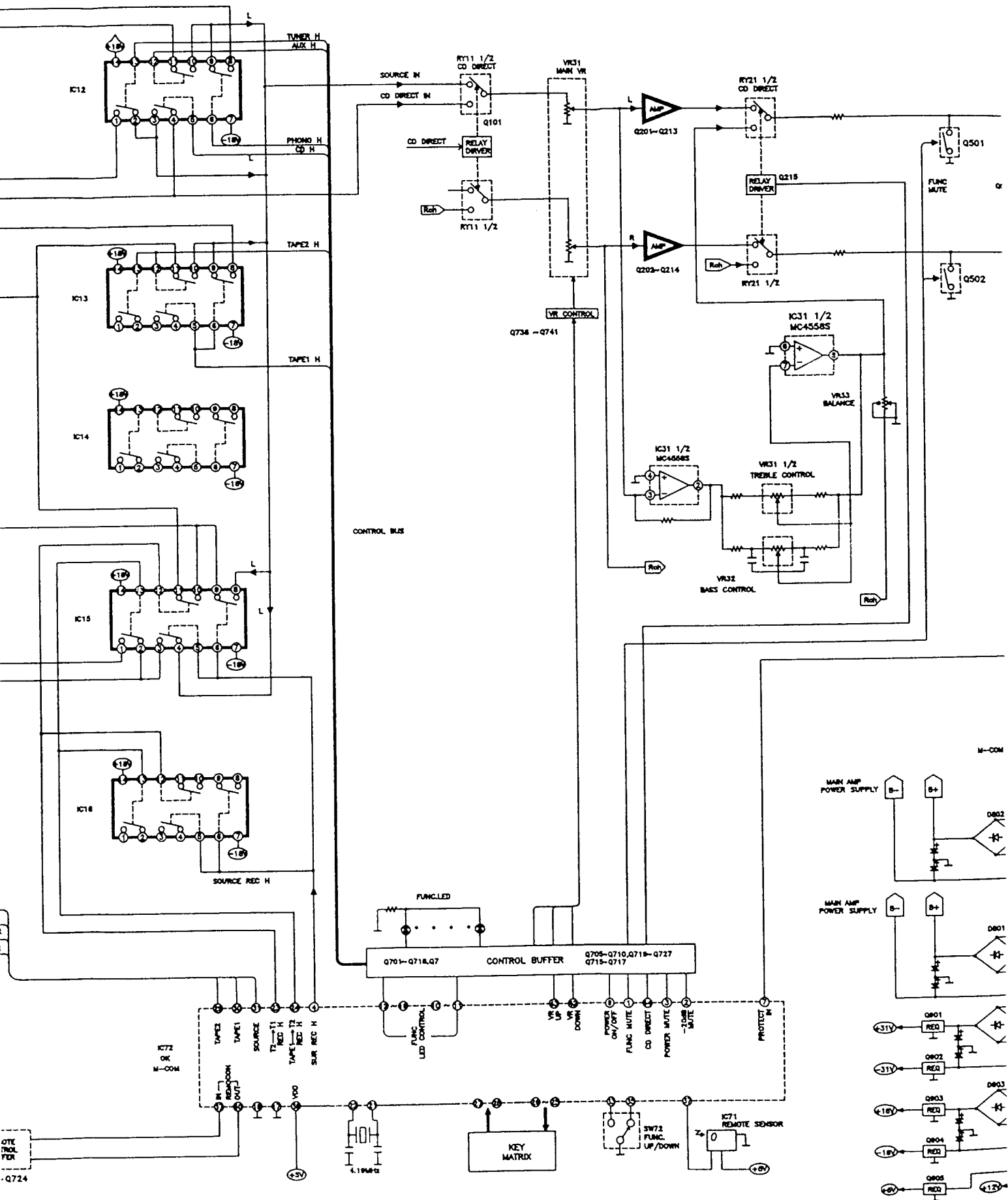


WIRING DIAGRAM

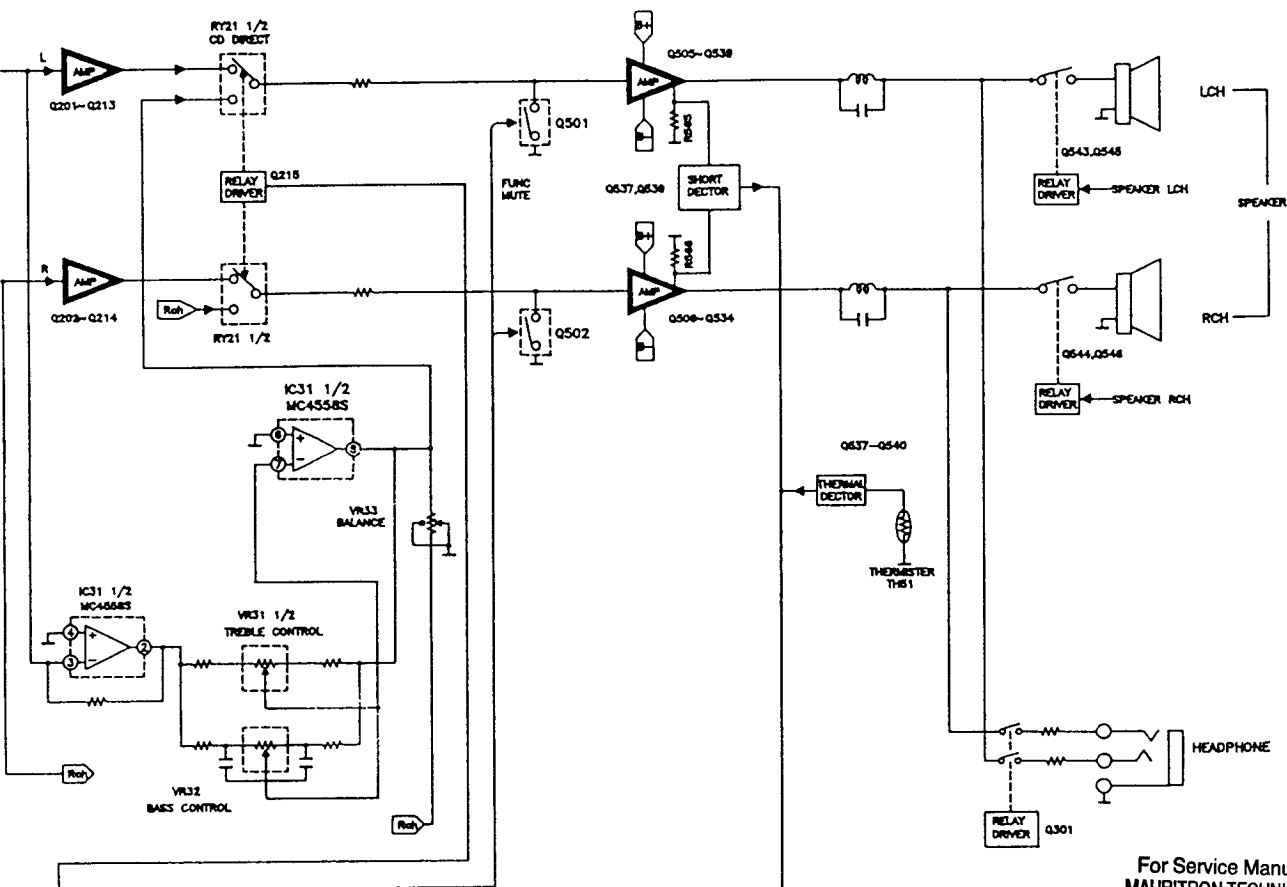


BLOCK DIAGRAM

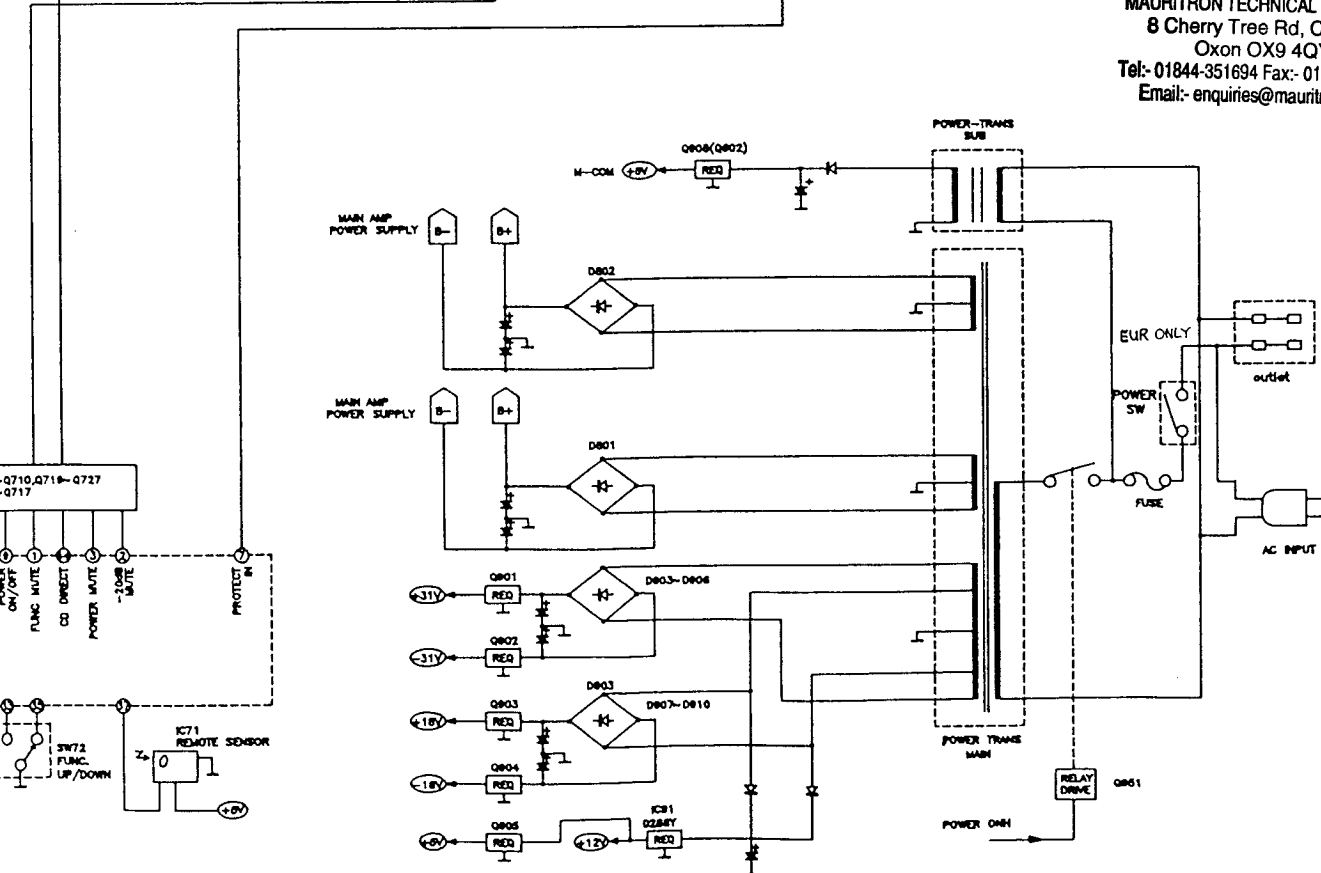




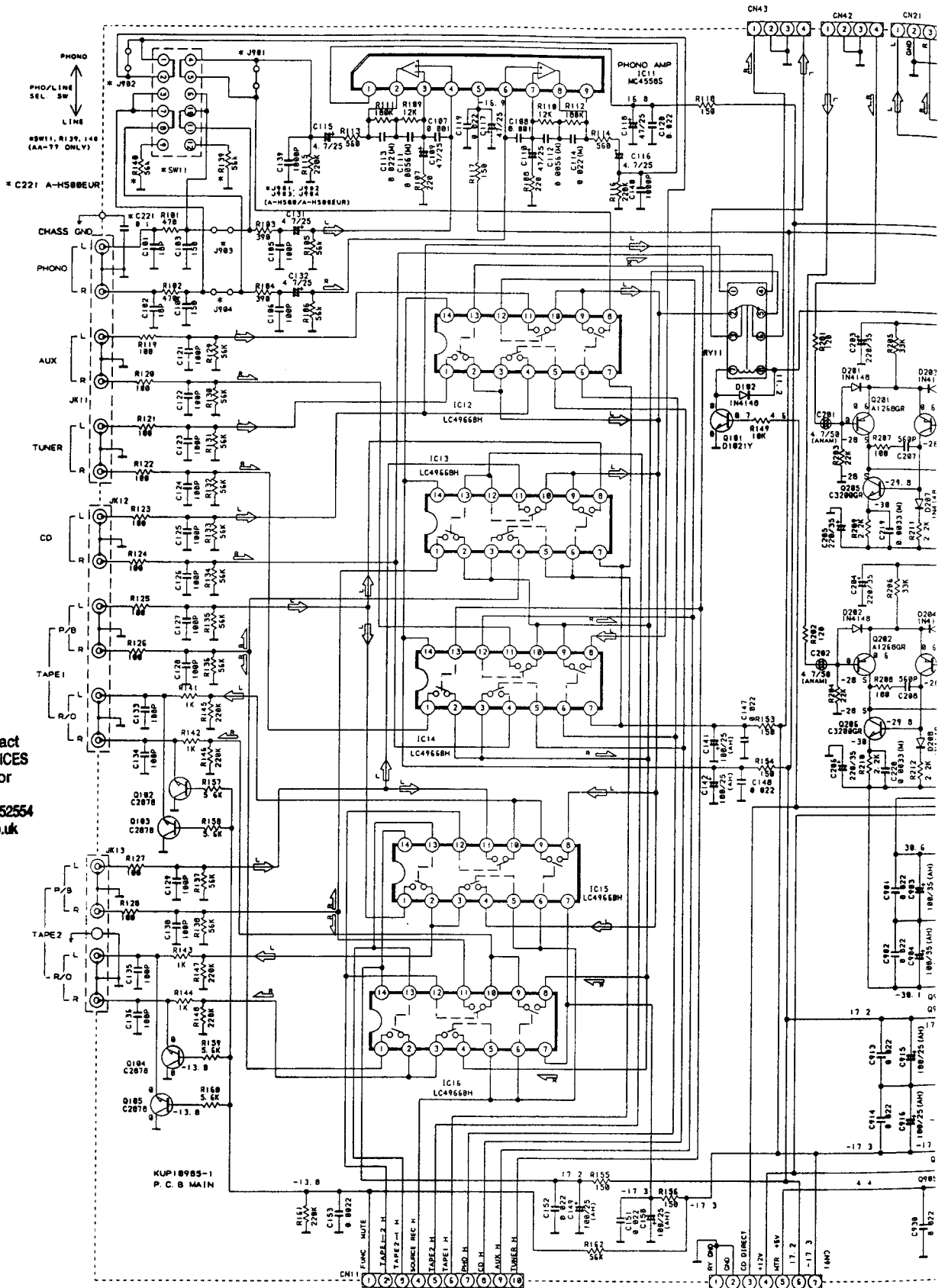
Q724



For Service Manuals Contact
MAURITRON TECHNICAL SERVICES
 8 Cherry Tree Rd, Chinnor
 Oxon OX9 4QY
 Tel: 01844-351694 Fax: 01844-352554
 Email: enquires@mauritron.co.uk

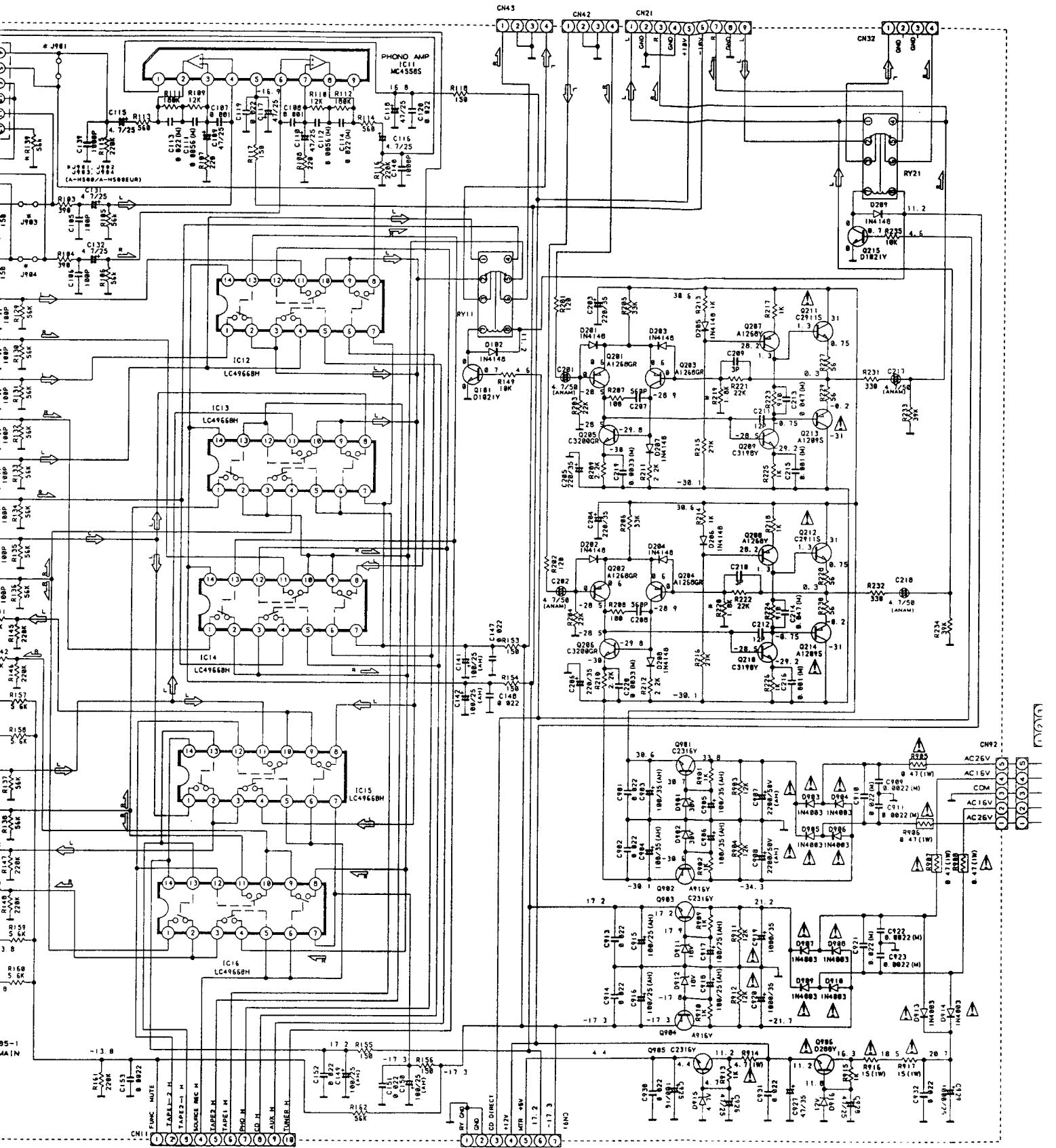


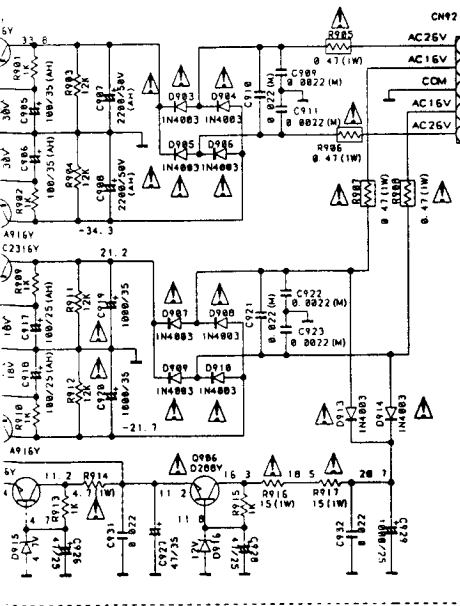
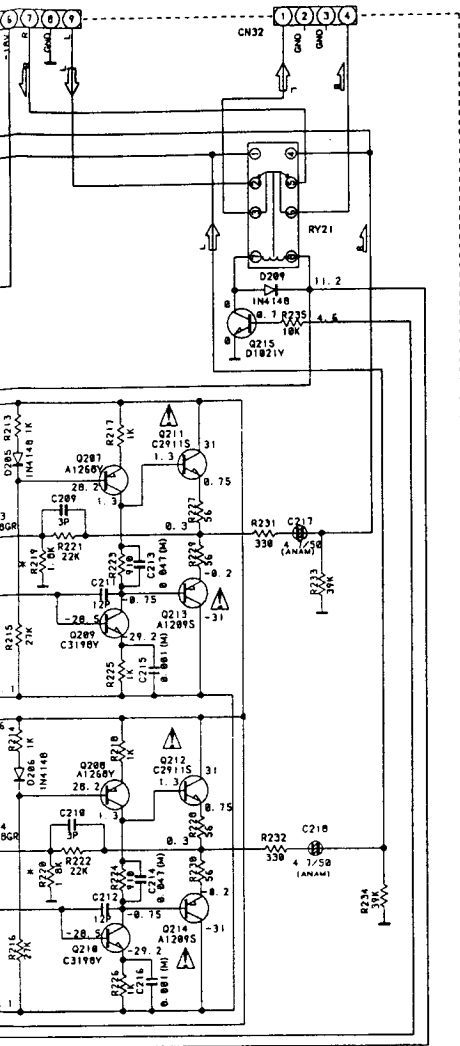
SCHEMATIC DIAGRAM



For Service Manuals Contact
MAURITRON TECHNICAL SERVICES
 8 Cherry Tree Rd, Chinnor
 Oxon OX9 4QY
 Tel: 01844-351694 Fax: 01844-352554
 Email: enquiries@mauritron.co.uk

DIAGRAM





* IMPORTANT SAFETY NOTICE :

COMPONENTS IDENTIFIED BY Δ MARK HAVE SPECIAL CHARACTERISTICS. IMPORTANT FOR SAFETY, WHEN REPLACING ANY OF THESE COMPONENTS USE ONLY MANUFACTURER'S SPECIFIED PART.

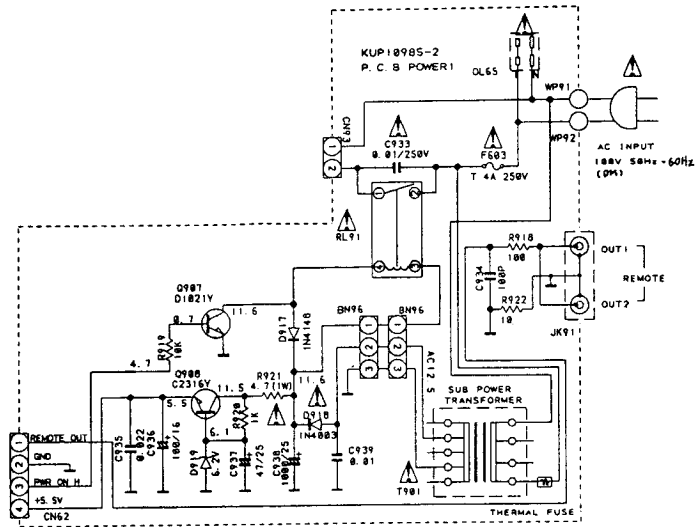
* THE UNIT OF RESISTANCE IS OHM, K=1000 OHM, M=1000 KOHM.

* THE CAPACITANCE IS MICROFARAD μ =PICO FARAD

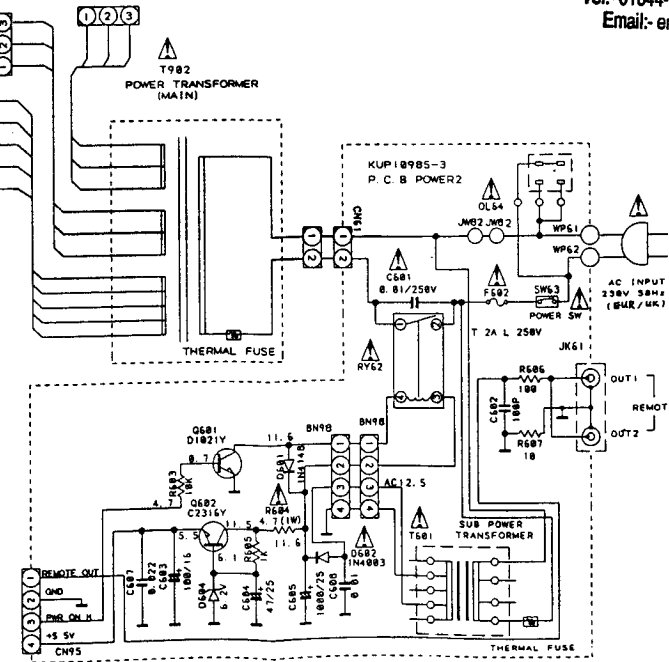
* THIS SCHEMATIC DIAGRAM MAY BE MODIFIED AT ANY TIME WITH THE IMPROVEMENT OF PERFORMANCE.

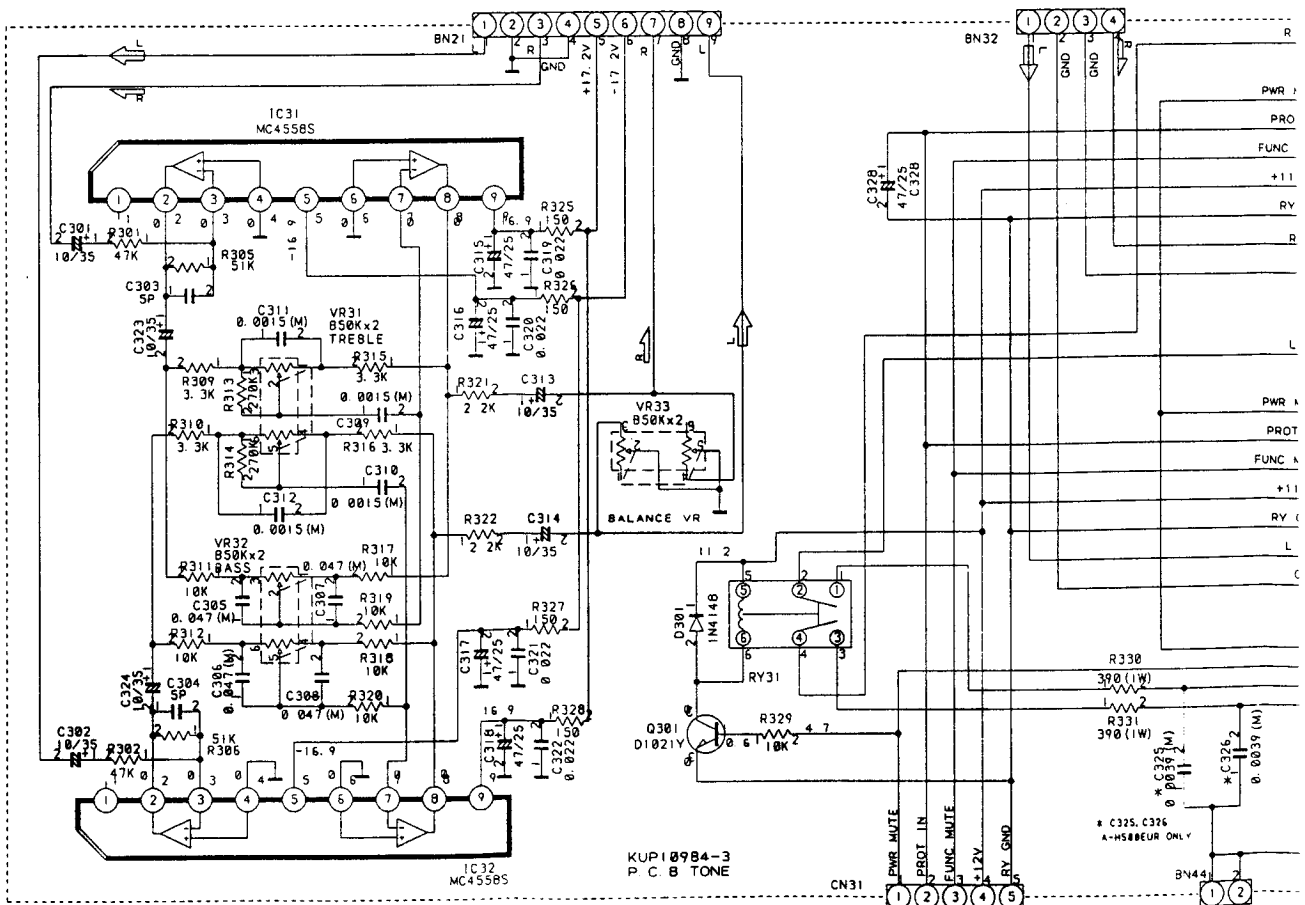
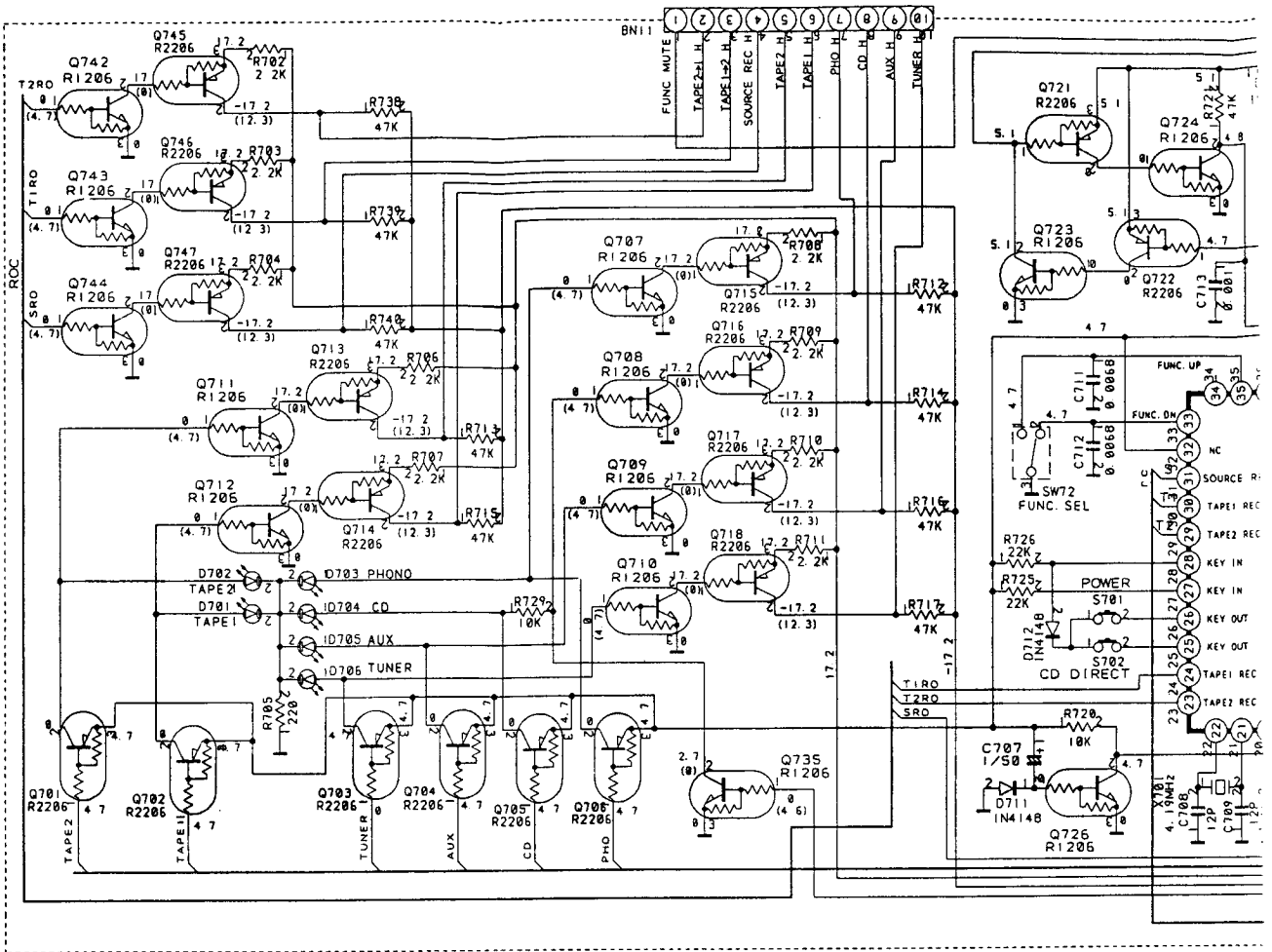
* ALL VOLTAGE ARE MEASURED WITH GROUND.

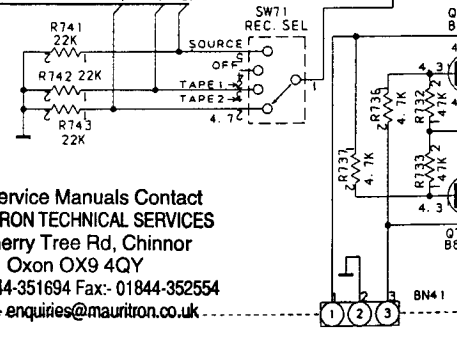
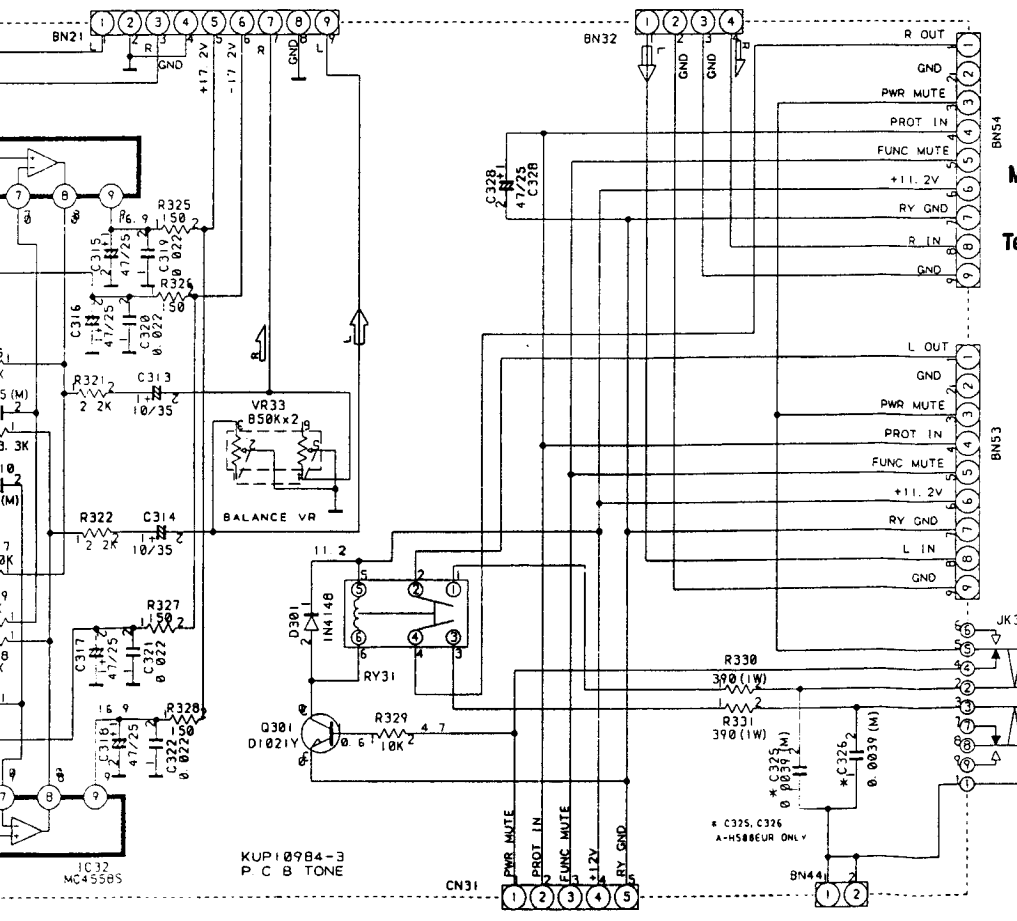
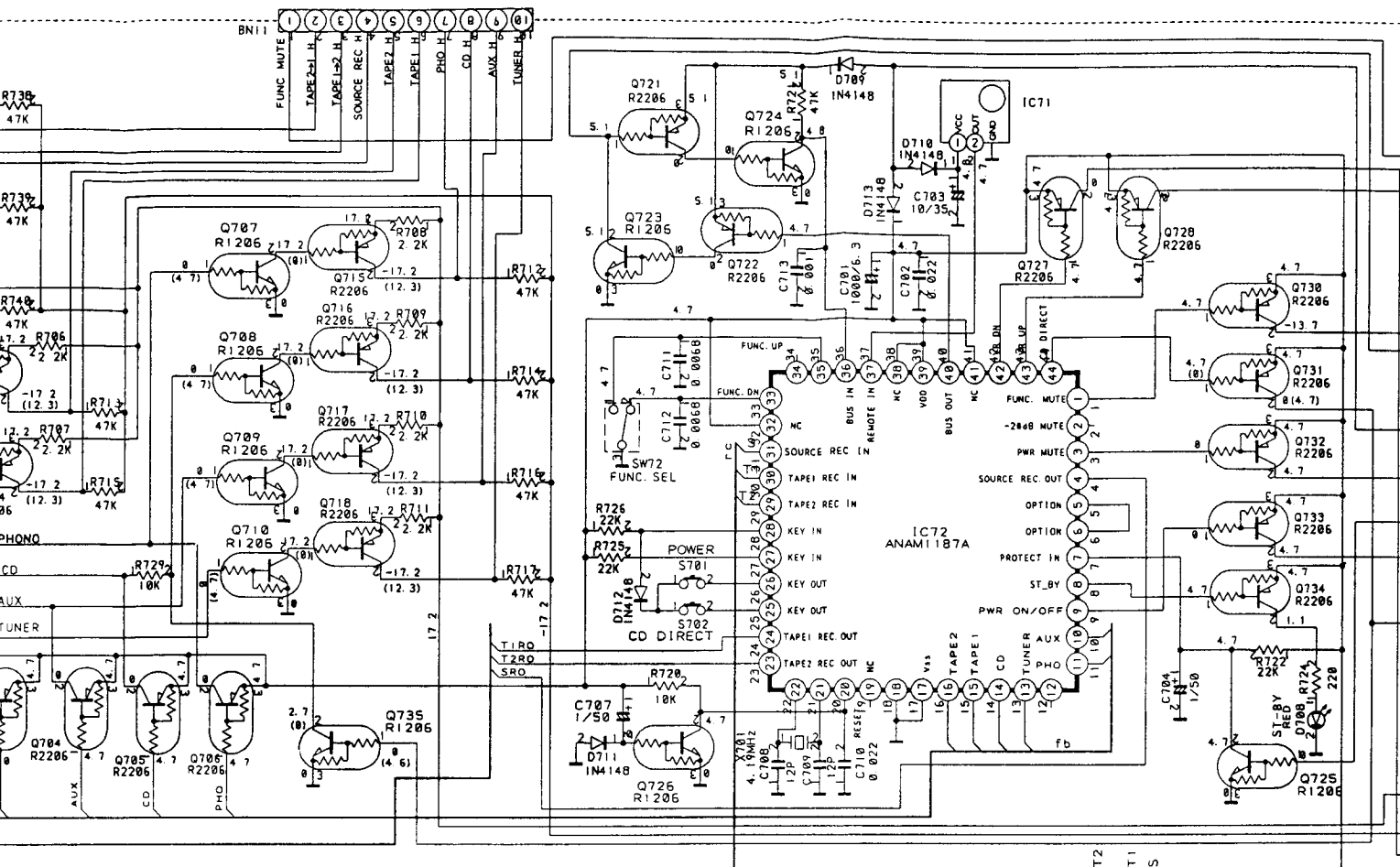
DC-VALUES WITH NO SIGNAL
AC-RMS



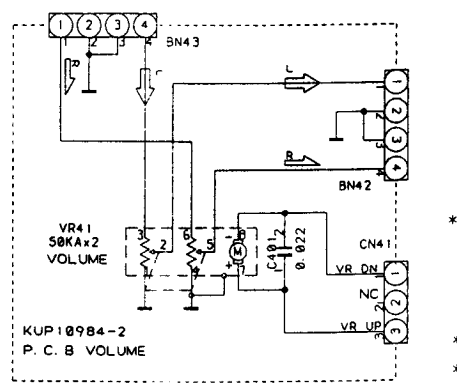
For Service Manuals Contact
MAURITRON TECHNICAL SERVICES
8 Cherry Tree Rd, Chinnor
Oxon OX9 4QY
Tel: 01844-351694 Fax: 01844-352554
Email: enquiries@mauritron.co.uk



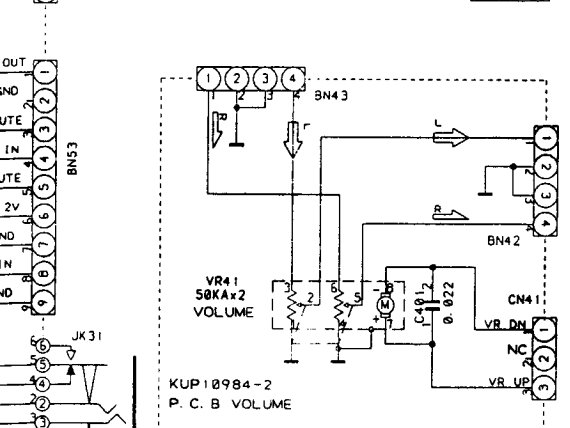
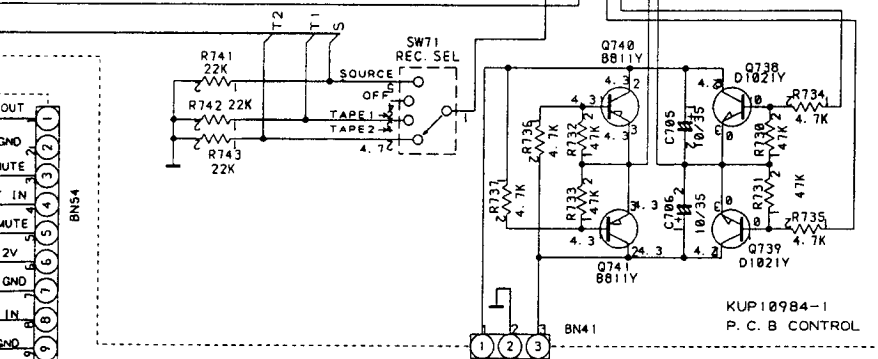
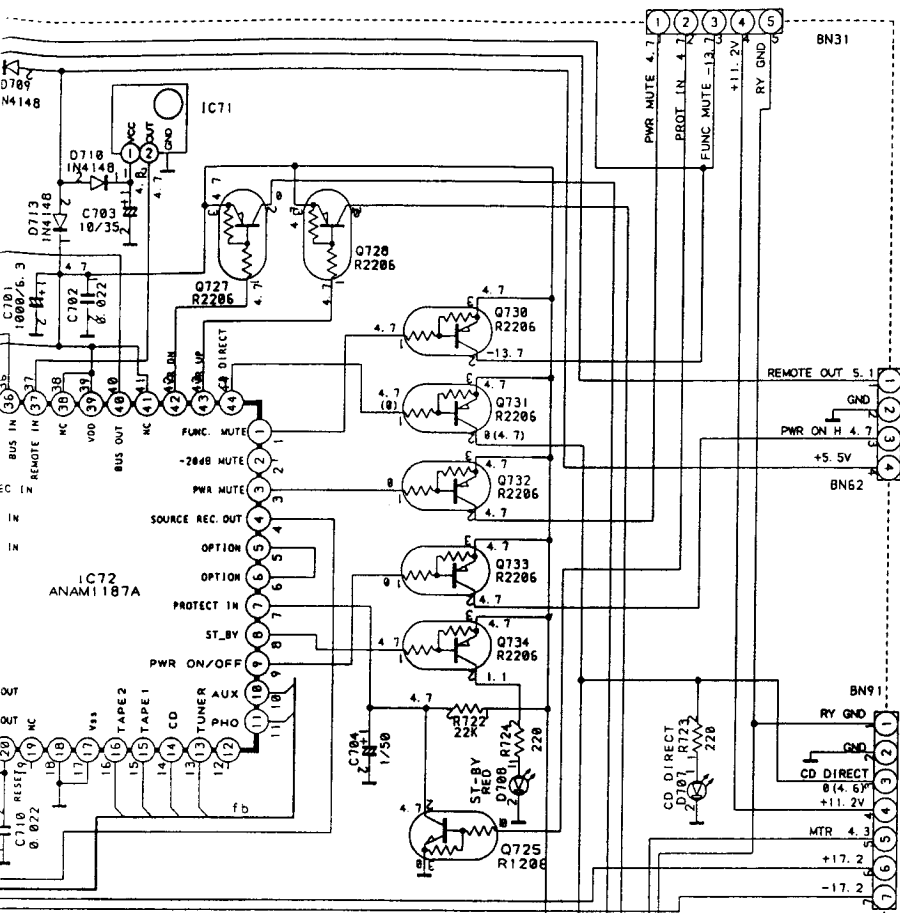




For Service Manuals Contact
MAURITRON TECHNICAL SERVICES
 8 Cherry Tree Rd, Chinnor
 Oxon OX9 4QY
 Tel:- 01844-351694 Fax:- 01844-352554
 Email:- enquiries@mauritron.co.uk

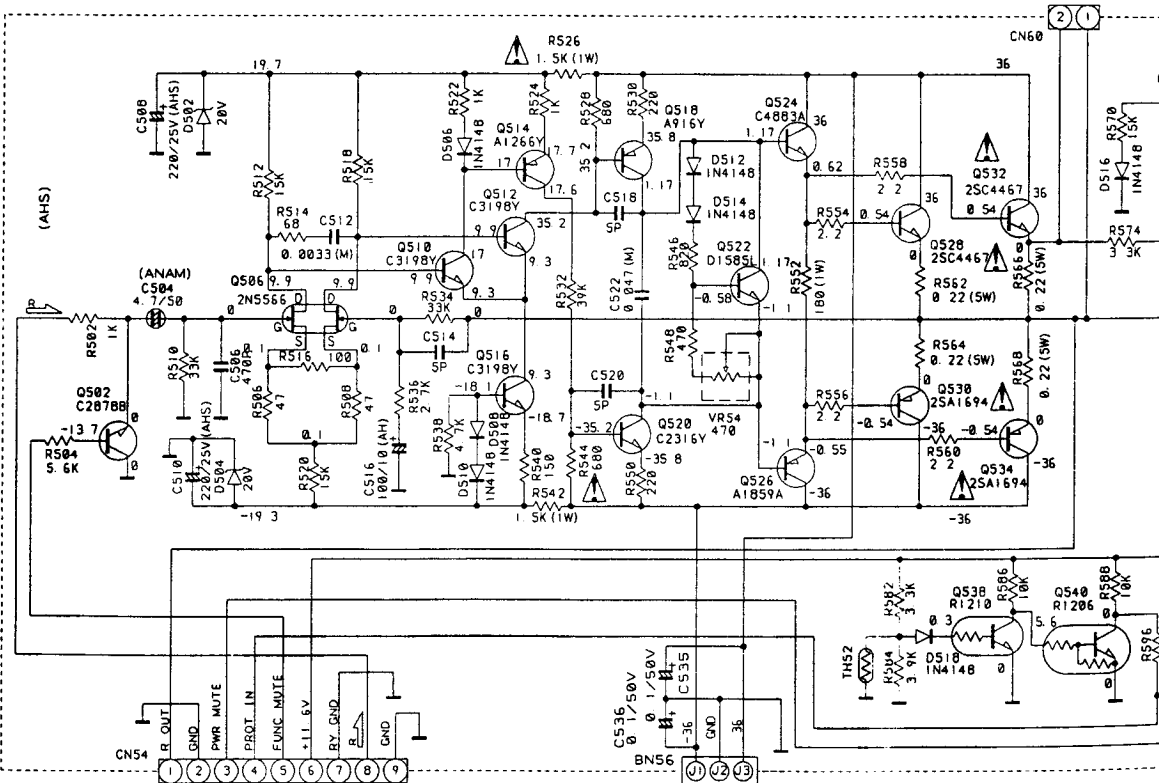
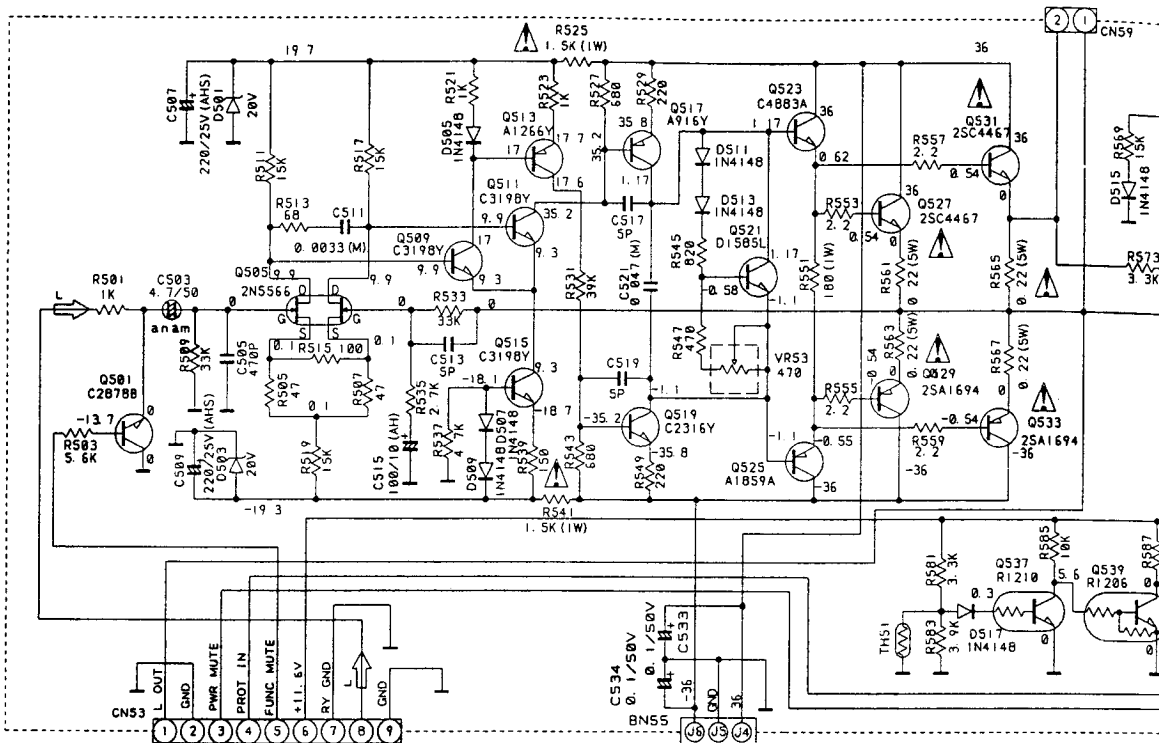


*
*
*
*

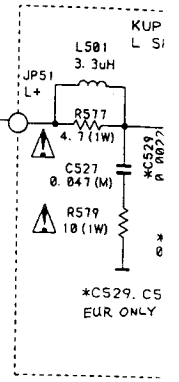
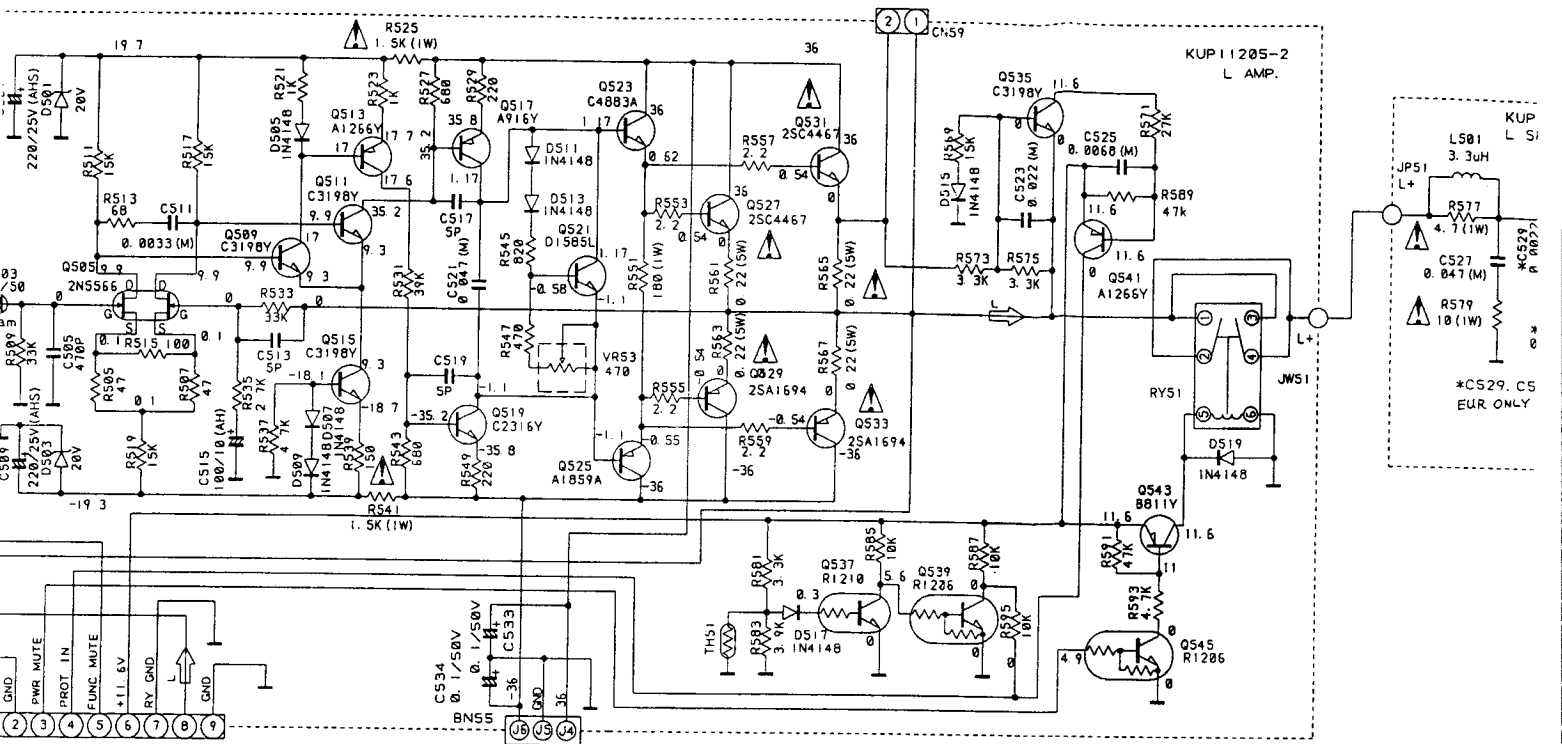


*** IMPORTANT SAFETY NOTICE :**
 COMPONENTS IDENTIFIED BY MARK HAVE SPECIAL CHARACTERISTIC IMPORTANT FOR SAFETY, WHEN REPLACING ANY OF THESE COMPONENTS USE ONLY MANUFACTURER'S SPECIFIED PART.

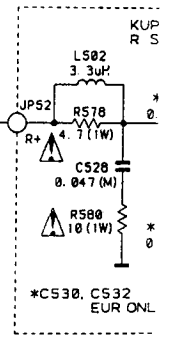
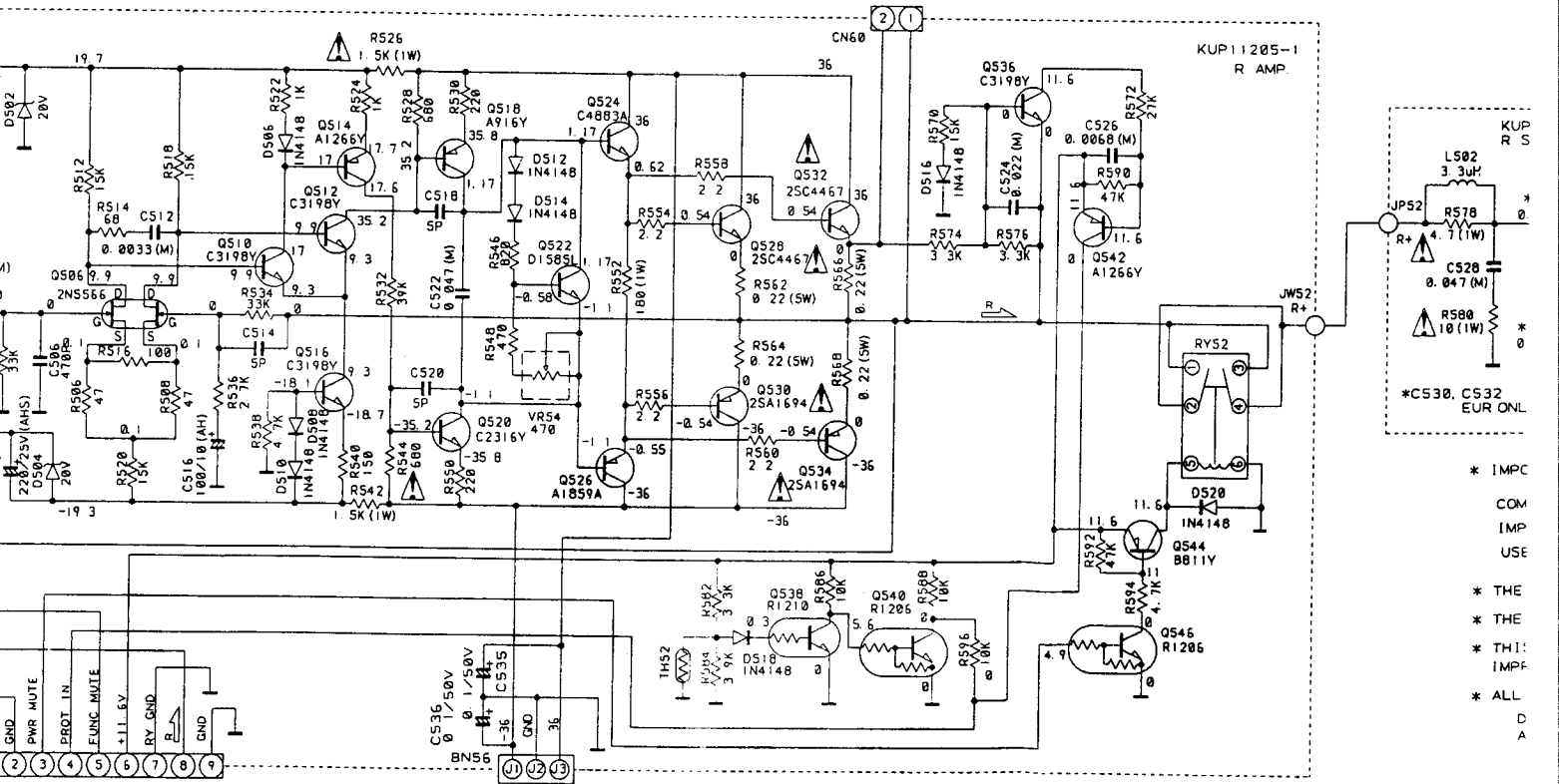
* THE UNIT OF RESISTANCE IS OHM, K=1000 OHM, M=1000 KOHM.
 * THE CAPACITANCE IS MICROFARAD P=PICO FARAD
 * THIS SCHEMATIC DIAGRAM MAY BE MODIFIED AT ANY TIME WITH THE IMPROVEMENT OF PERFORMANCE
 * ALL VOLTAGE ARE MEASURED WITH GROUND.
 DC VALUES WITH NO SIGNAL, NORMAL VOLTAGE
 () VOLTAGE IS ACTIVE VOLTAGE.



For Service Manuals Contact
MAURITRON TECHNICAL SERVICES
 8 Cherry Tree Rd, Chinnor
 Oxon OX9 4QY
 Tel: 01844-351694 Fax: 01844-352554
 Email: enquiries@maurtron.co.uk

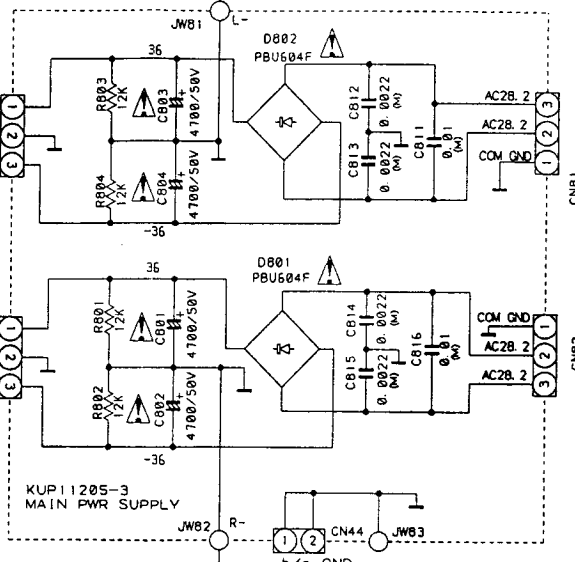
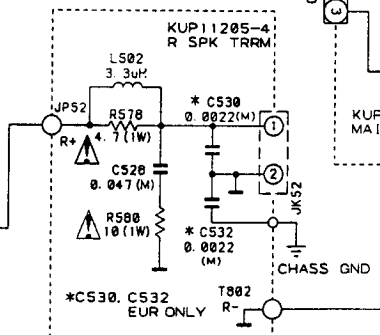
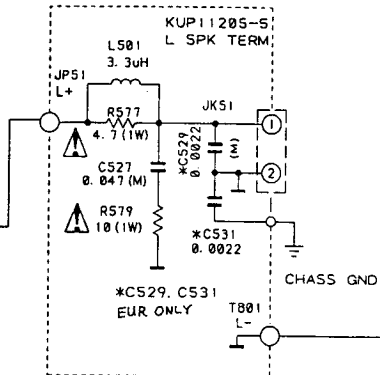
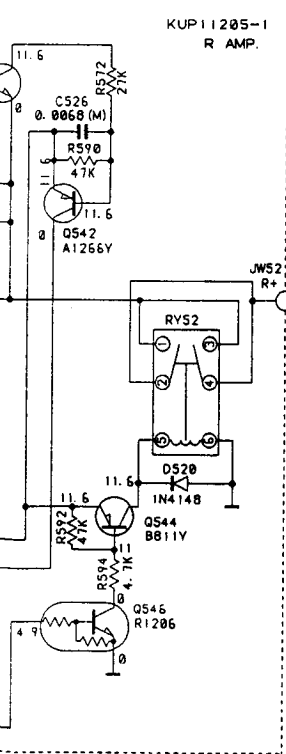
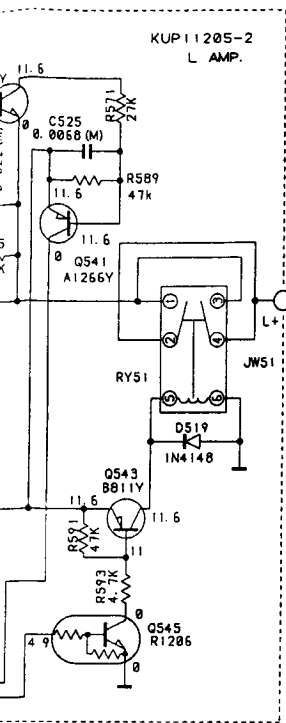


*C529, C5
EUR ONLY



*C530, C532
EUR ONL

- * IMPC
- COM
- IMP
- USE
- * THE
- * THE
- * TH1:
- IMPF
- * ALL
- D
- A



*** IMPORTANT SAFFTY NOTICE :**

COMPONENTS IDENTIFIED BY MARK HAVE SPECIAL CHARACTERISTICS. IMPORTANT FOR SAFFTY, WHEN REPLACING ANY OF THESE COMPONENTS USE ONLY MANUFACTURER'S SPECIFIED PART.

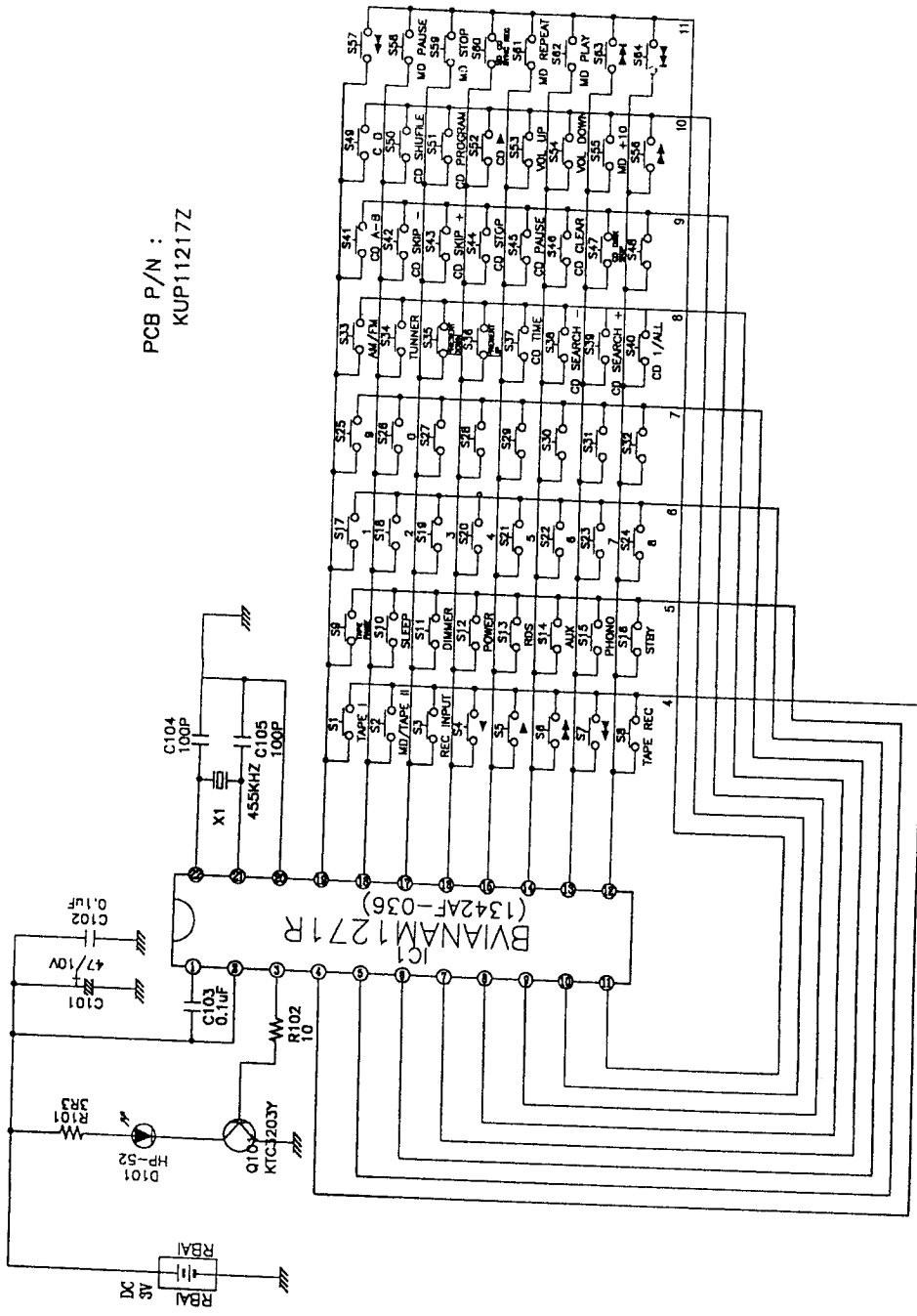
* THE UNIT OF RESISTANCE IS OHM, K=1000 OHM, M=1000 KOHM.

* THE CAPACITANCE IS MICROFARAD P=PICO FARAD

* THIS SCHEMATIC DIAGRAM MAY BE MODIFIED AT ANY TIME WITH THE IMPROVEMENT OF PERFORMANCE.

* ALL VOLTAGE ARE MEASURED WITH GROUND.

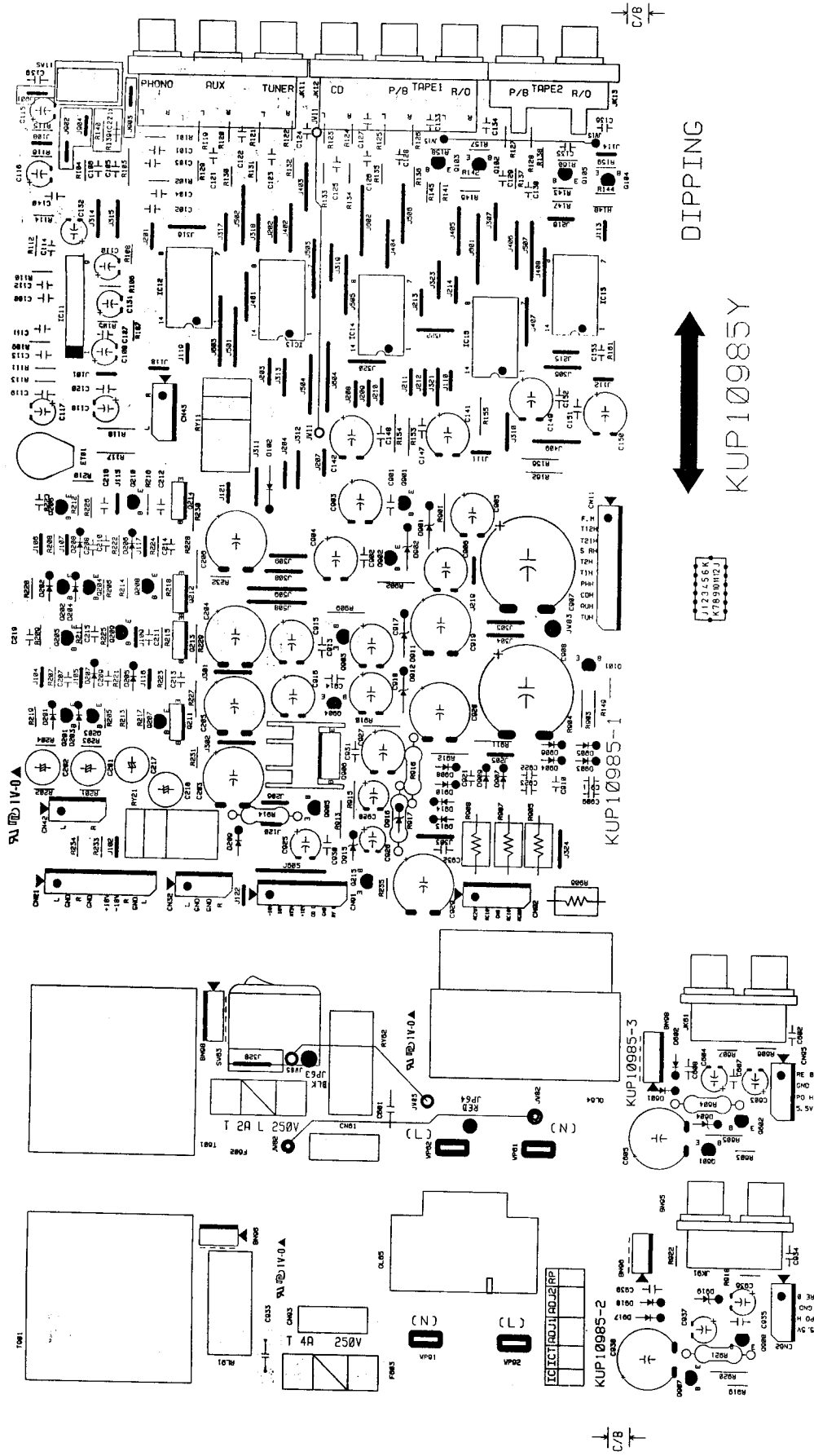
DC: VALUES WITH NO SINGAL
AC: RMS

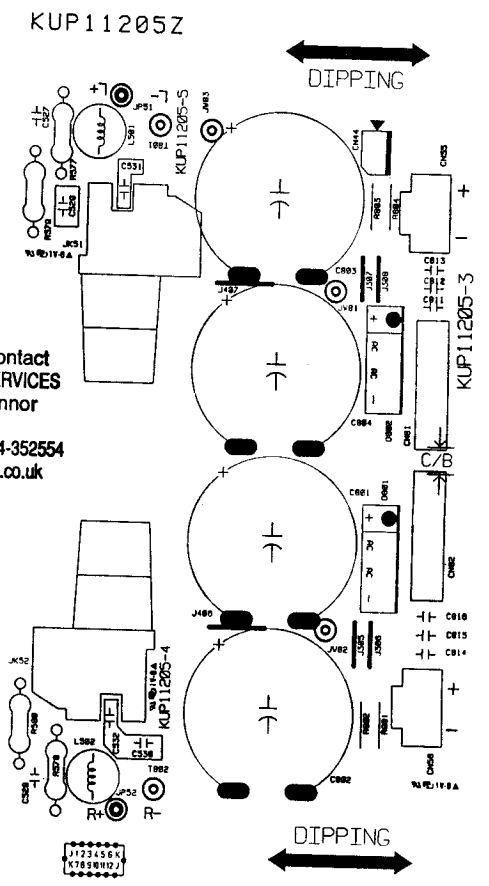
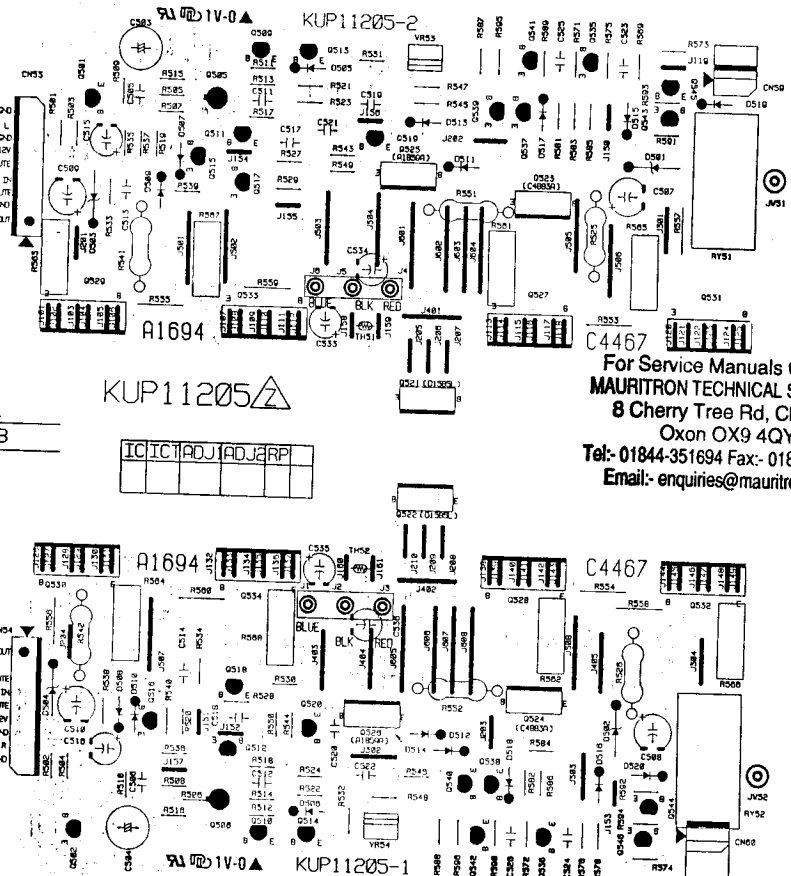
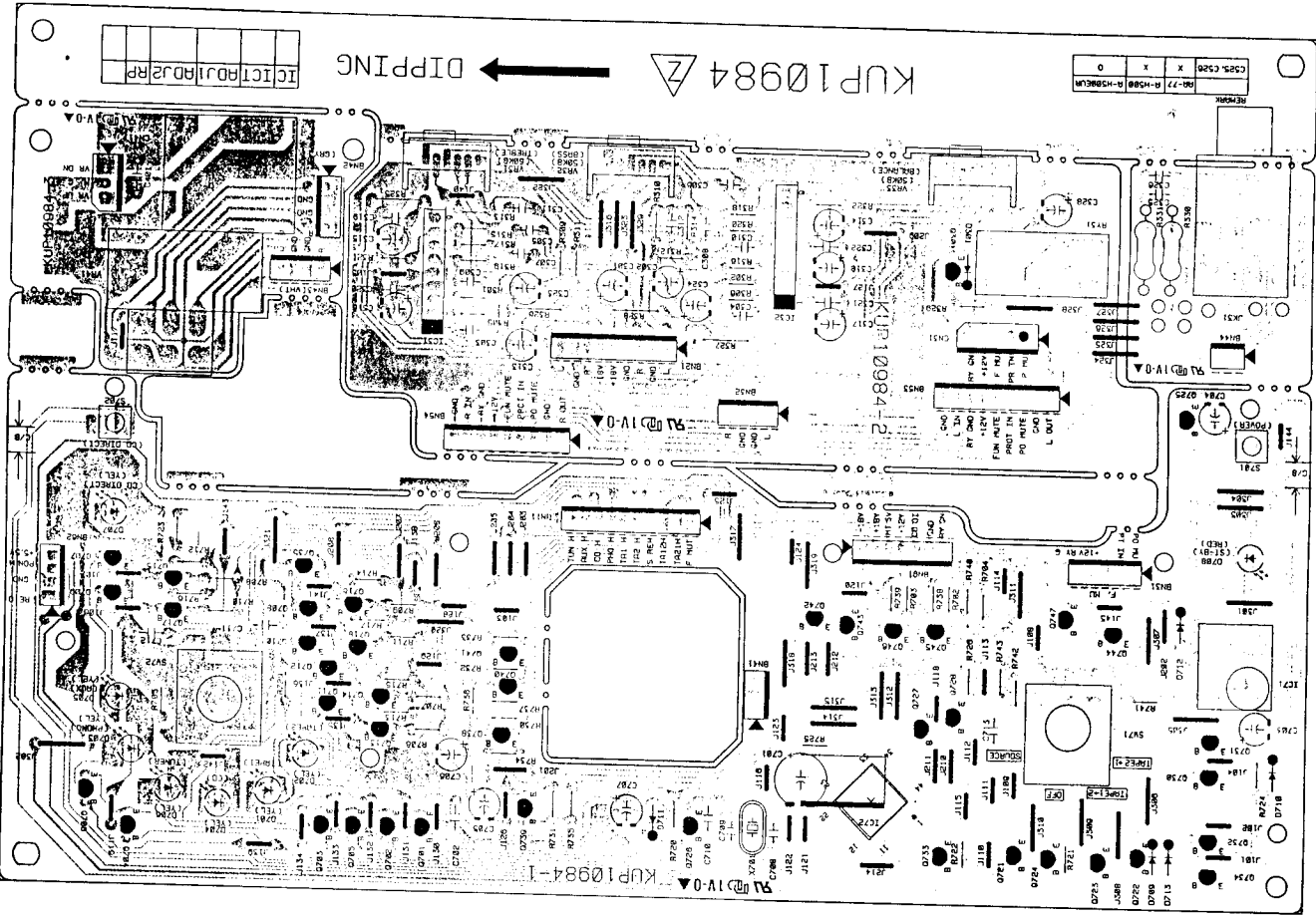


PCB P/N :
KUP11217Z

For Service Manuals Contact
MAURITRON TECHNICAL SERVICES
 8 Cherry Tree Rd, Chinnor
 Oxon OX9 4QY
 Tel:- 01844-351694 Fax:- 01844-352554
 Email:- enquiries@mauritron.co.uk

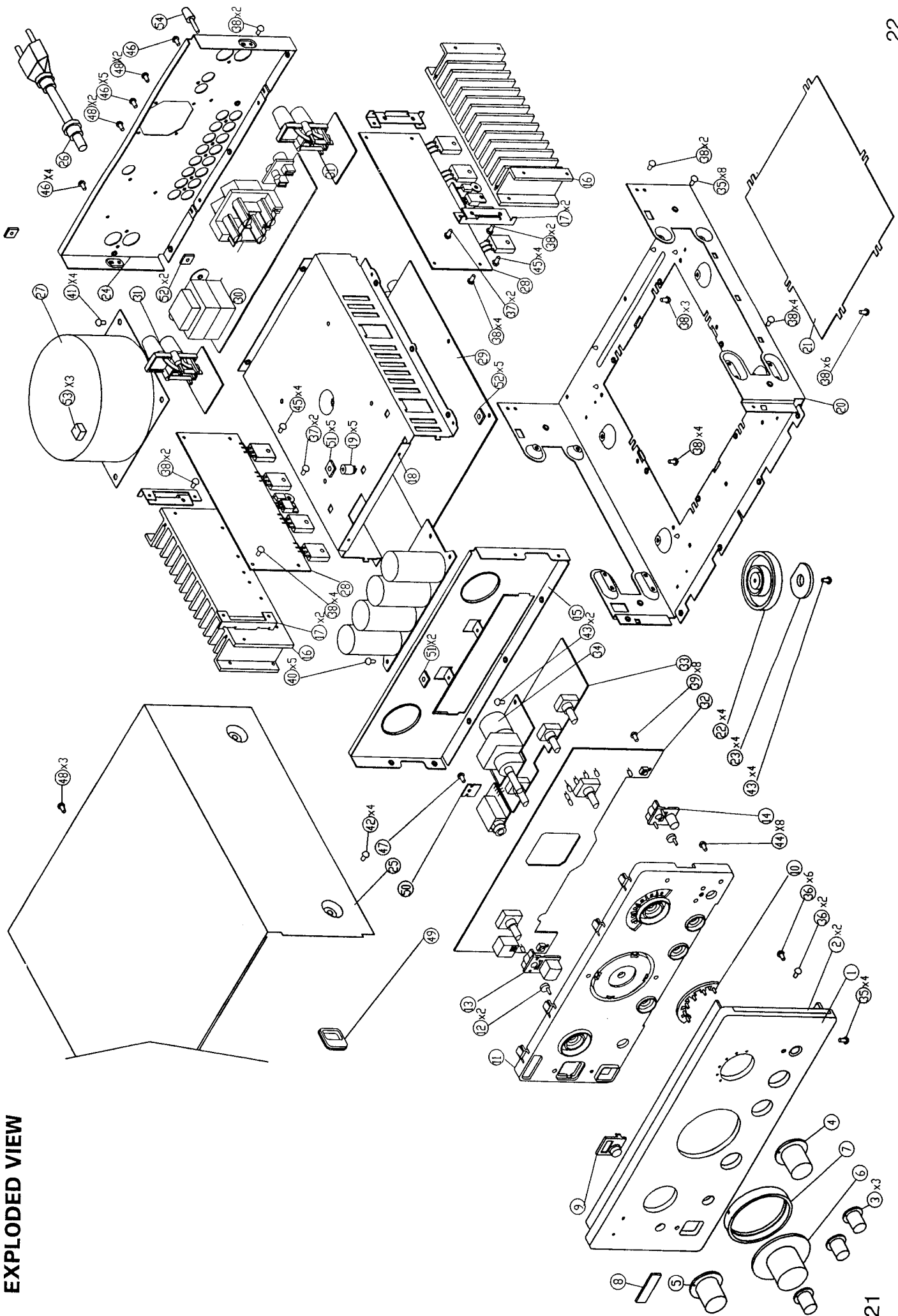
PRINTED CIRCUIT BOARDS

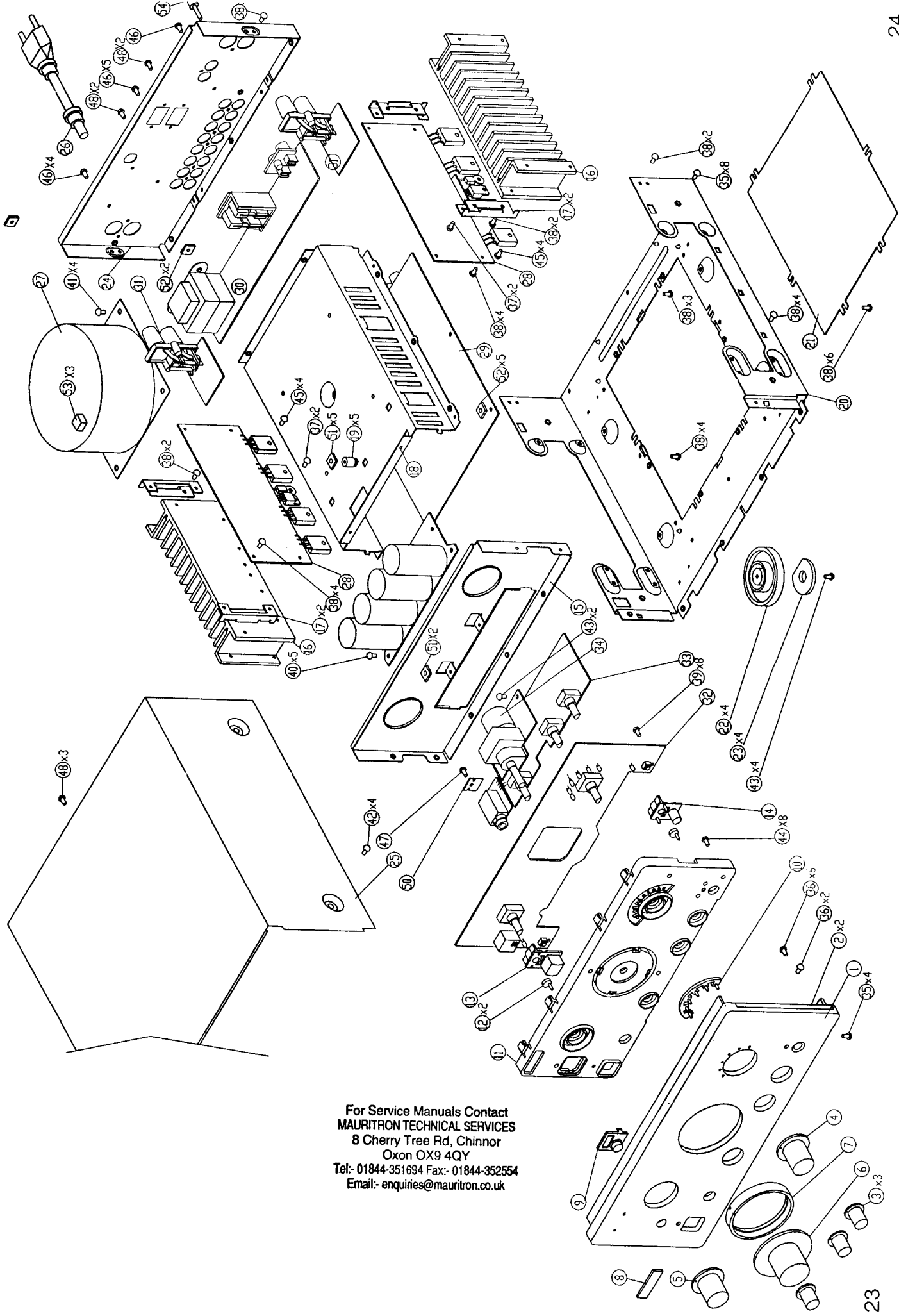




C4467
 For Service Manuals Contact
MAURITRON TECHNICAL SERVICES
 8 Cherry Tree Rd, Chinnor
 Oxon OX9 4QY
 Tel: 01844-351694 Fax: 01844-352554
 Email: enquires@mauritron.co.uk

EXPLODED VIEW





For Service Manuals Contact
MAURITRON TECHNICAL SERVICES
 8 Cherry Tree Rd, Chinnor
 Oxon OX9 4QY
 Tel: 01844-351694 Fax: 01844-352554
 Email: enquiries@mauritron.co.uk

EXPLODED VIEW

REF. NO.	PARTS NO.	DESCRIPTION	REMARKS
1	9A07241300	PANEL , AL	KKM1A052WC11
2	9A06677600	SIDE BAR	KKM1A062C11
3	9A06228400	VOLUME CAP ASS'Y (C)	KGX1A218ZA
4	9A06228300	VOLUME CAP ASS'Y (B)	KGX1A217ZA
5	9A06228800	VOLUME CAP ASS'Y	KGX2A217ZA
6	9A06228100	VOLUME CAP ASS'Y (A)	KGX1A216ZA
7	9A06228600	HOUSING , VOLUME	KGX1A219C12
8	9A06224200	BADGE,TEAC	BGB1A047
9	9A06863500	WINDOW,SENSOR	KGU2A155
10	9A06863400	INDICATOR,FUNCTION	KGL3A121
11	9A06319300	PANEL , MOLD	KGW1A178ZK64
12	9A07301300	INDICATOR,POWER	KGL2A120
13	9A07301200	KNOB , POWER	KBT2A387ZK64
14	9A06319200	KNOB , TACT	KBT1A388ZK64
15	9A06235100	CHASSIS , FRONT	KUF1A020
16	9A06232300	HEAT SINK	KMY1A111
17	9A06232100	BRACKET , HEAT SINK	KMD1A327
18	9A06232200	SUPPORT , TRANS	KMD1A328
19	9A06229100	MOUNT , PCB A4-92-1728	KHE1A023
20	9A06234900	CHASSIS , BOTTOM	KUA1A135
21	9A06235000	PLATE , BOTTOM	KUA1A136
22	9A06315500	FOOT	KKL1A047ZK63
23	9A06229300	CUSHION , FOOT	KHG1A039Z
24	9A07241200	PANEL , REAR [E]	KKF4A126SK59
	9A07386700	PANEL , REAR [J]	KKF3A126SK59
25	9A07241000	CABINET , TOP	KKC4B077S21
26	△ 9A01376900	BUSHING,AC CORD HEYCO(SR-	KHR129
27	△ 9A06326200	TRANS , TOROIDAL [E]	KLT5Z002ZE
	△ 9A06232000	TRANS , TOROIDAL [J]	KLT5Z002ZJ
28		AMP PCB	
29		MAIN PCB	
30		TRANS PCB	
31		SPEAKER PCB	
32		SUB PCB(A)	
33		SUB PCB(B)	
34	9A06237000	VOLUME, MOTOR RK6312MC282	KVV9A08A503Z
35	9A01397400	SCREW KTS3+8J	KTS3+8J
36	9A06229000	SCREW , SPECIAL	KHD1A016
37	9A01535800	SCREW,KTB3+8J	KTB3+8J
38	9A01532600	SCREW KTB3+6J	KTB3+6J
39	9A01377400	SCREW,KTB3+10G	KTB3+10G
40	9A05338500	SCREW KTB3+16J	KTB3+16J
41	9A05984300	SCREW KTB4+6FFZ	KTB4+6FFZ
42	9A05338800	SCREW KTB4+6F	KTB4+6F
43	9A05339200	SCREW KTW3+8J	KTW3+8J
44	9A06234700	SCREW KTW3+6F	KTW3+6F
45	9A05985100	SCREW KTW3+10G	KTW3+10G
46	9A01377300	SCREW,KTB3+10GFZ	KTB3+10GFZ
47	9A01377600	SCREW,KTWS3+10G	KTWS3+10G
48	9A01377200	SCREW KTB3+8JFZ	KTB3+8JFZ
49		VACANT	
50	9A06319600	BRACKET	KMD1A339
51	9A06229600	RUBBER , PCB	KHG1A139
52	9A06229400	RUBBER , MECHA	KHG1A115
53	9A06321100	RUBBER , TRANS	KHG1A144
54	9A05917200	GROUND TERMINAL	KMA2A001
	△ 9A06320300	FUSE,2C2000TLE [E]	KBA2C2000TLE
	△ 9A06225800	FUSE,2C2000TLJ [J]	KBA2C4000TLJ
	△ 9A05892200	CORD,POWER [E]	KJA2B010Y
	△ 9A06230100	CORD. AC [J]	KJA2J025Z

For Service Manuals Contact
MAURITRON TECHNICAL SERVICES
 8 Cherry Tree Rd, Chinnor
 Oxon OX9 4QY
 Tel:- 01844-351694 Fax:- 01844-352554
 Email:- enquiries@mauritron.co.uk

INCLUDED ACCESSORIES

REF. NO.	PARTS NO.	DESCRIPTION	REMARKS
	9A07124500	OWNER'S/MANUAL, E/F/G/I/S [E]	KQX1A480Z
	9A07125500	OWNER'S/MANUAL, J [J]	KQX1A489Z
	9A07364020	REMOCON XMTR ASSY (RC-711) [E]	KARTAH500IEUR
	9A06225710	REMOCON XMTR ASSY (RC-710) [J]	KARTAH500IDM

■ Resistor and Capacitor

- Notes :
- Part numbers are indicated for most mechanical parts.
Please use this part number for parts order.
 - **IMPORTANT SAFETY NOTICE.**
Components identified by \triangle mark have special characteristics important for safety.
When replacing any of these components, use only manufacture's specified parts.
 - The unit of resistance is OHM(Ω)
K=1000(Ω), M=1000(K Ω)
 - The unit of capacitance is MICROFARAD(μ F).
 - P=10⁻⁶ μ F

■ Numbering System of Resistor

Example

$\frac{\text{KRD}}{\text{Type}}$ $\frac{25}{\text{Wattage}}$ $\frac{\text{F}}{\text{Shape}}$ $\frac{\text{J}}{\text{Tolerance}}$ $\frac{101}{\text{Value}}$

Resistor Type	Wattage	Tolerance
KRD:Carbon	20:1/5W	F:±1%
KRG:Metal Oxide	25:1/4W	J:±5%
	50:1/2W	K:±10%
	1:1W	
KRF:Metal Cement	2:2W	
	3:3W	

■ Numbering System of Capacitor

Example

$\frac{\text{KCKT}}{\text{Type}}$ $\frac{1\text{H}}{\text{Voltage}}$ $\frac{101}{\text{Value}}$ $\frac{\text{K}}{\text{Tolerance}}$ $\frac{\text{B}}{\text{Peculiarity}}$

Capacitor Type	Voltage		Tolerance
	ECEA Type	Other	
KCB: Ceramic	OJ:6.3V	1H:50V DC	C:±0.25pF
KCC: Ceramic	1A:10V	1:125V DC	G:±2%
KCK: Ceramic	1C:16V	KC:400V AC	J:±5%
KCFR: Semiconductor	1E:25V		K:±10%
KCQI: Polyester	1H:50V		Z: +80%, -20%
KCQP: Polypropylene	1V:35V		
KCQS: Polystyrol			

MAIN PCB ASS'Y

REF. NO.	PARTS NO.	DESCRIPTION	REMARKS
	9A06232700	MAIN PCB ASS'Y [J]	KOP10985C
	9A07365620	MAIN PCB ASS'Y [E]	KOP10985F
	9A06235300	PCB , MAIN [J]	KUP10985Z
	9A07365800	PCB , MAIN [E]	KUP10985Y
C907.908	△ 9A06227100	CAP , ELECT	KCET1HAH222N
C919.920	△ 9A06227000	CAP , ELECT	KCEA1VH102E
D102	9A01390600	DIODE,1N4148T	KVD1N4148T
D201-208	9A01390500	DIODE,1N4148MT	KVD1N4148MT
D601	9A01390500	DIODE,1N4148MT	KVD1N4148MT
D602	9A05194600	DIODE,1N4003SRT	KVD1N4003SRT
D604	△ 9A06236200	DIODE,ZENER MTZJ6.2BT	KVDMTZJ6.2BT
D901-910	△ 9A05902200	DIODE,ZENER,30V	KVDUZ30BMT
D911.912	△ 9A06236400	DIODE , ZENER UZ18BMT	KVDUZ18BMT
D913.914	9A05194600	DIODE,1N4003SRT	KVD1N4003SRT
D915	△ 9A06236100	DIODE , ZENER MTZJ4.7BT	KVDMTZJ4.7BT
D916	△ 9A05359600	DIODE,ZENER MTZJ12BT	KVDMTZJ12BT
D917	9A01390500	DIODE,1N4148MT	KVD1N4148MT
D918	9A05194600	DIODE,1N4003SRT	KVD1N4003SRT
D919	△ 9A06236200	DIODE,ZENER MTZJ6.2BT	KVDMTZJ6.2BT
F602	9A05328200	HOLDER,FUSE KJCF5S [E]	KJCF5S
F603	9A05328200	HOLDER,FUSE KJCF5S [J]	KJCF5S
IC11	9A05195800	IC,MC4558S	KVIMC4558S
IC12.13	9A05971200	IC,,LC4966	BVILC4966
IC16	9A05971200	IC,,LC4966	BVILC4966
JK11.12	9A06230400	TERMINAL , IN/OUT (G)	KJJ4R011Z
JK13	9A06326400	TERMINAL , IN/OUT	KJJ4P016Z
JK91	9A06230200	JACK , REMOTE(2P) [J]	KJJ4N023Z
KJ61	9A06230200	JACK , REMOTE(2P) [E]	KJJ4N023Z
OL63	9A062243-00	OUTLET CCT1304-0211 [J]	BJJ7A005Z
Q101	9A03811700	TR,KSD1021-YTA	KVTKSD1021YT
Q102-105	9A05896000	TR,KTC2878B	KVTKTC2878BT
Q201-204	9A06236600	TR,KTA1268GRT	KVTKTA1268GRT
Q205.206	9A06236700	TR,KTC3200GRT	KVTKTC3200GRT
Q207.208	9A05895900	TR,KTA1266YT	KVTKTA1266YT
Q209.210	9A05892800	TR,KTC3198YT	KVTKTC3198YT
Q211.212	△ 9A06225500	T.R 2SC2911S	BVT2SC2911S
Q213.214	△ 9A06225300	T.R 2SA1209S	BVT2SA1209S
Q215	9A03811700	TR,KSD1021-YTA	KVTKSD1021YT
Q601	9A03811700	TR,KSD1021-YTA	KVTKSD1021YT
Q602	9A05196800	TR,KSC2316-Y-SHTA	KVTKSC2316YT
Q901	9A05196800	TR,KSC2316-Y-SHTA	KVTKSC2316YT
Q902	9A05196700	TR,KSA916-Y-SHTA	KVTKSA916YT
Q903	9A05196800	TR,KSC2316-Y-SHTA	KVTKSC2316YT
Q904	9A05196700	TR,KSA916-Y-SHTA	KVTKSA916YT
Q905	9A05196800	TR,KSC2316-Y-SHTA	KVTKSC2316YT
Q906	△ 9A01388300	TR,KSD288-Y-AB	KVTKSD288Y
Q907	9A03811700	TR,KSD1021-YTA	KVTKSD1021YT
Q908	9A05196800	TR,KSC2316-Y-SHTA	KVTKSC2316YT
R905-908	△ 9A05897200	RES,FUSE 0.47-OHM,1W	KRQ1CJR47
R914	△ 9A05896400	R,,4.7-OHM,1W	KRG1ANJ4R7H
R921	△ 9A05896400	R,,4.7-OHM,1W	KRG1ANJ4R7H
RL91	△ 9A05987100	RELAY HR-CR7-DC12V [J]	KSL1A007ZE
RY11.21	△ 9A06224500	RELAY G5V-2-DC12V	BSL4A006ZU
RY62	△ 9A05987100	RELAY HR-CR7-DC12V [E]	KSL1A007ZE
T601	△ 9A06326700	TRANS.POWER [E]	KLT5J020ZE
T901	△ 9A06231900	TRANS.POWER [J]	KLT5J020ZJ
WP61.62	9A06012400	TERMINAL,LUG	KJT1A023C8

SUB PCB ASS'Y

REF. NO.	PARTS NO.	DESCRIPTION	REMARKS
	9A06232610	SUB PCB ASS'Y [E]	KOP10984D
	9A06232600	SUB PCB ASS'Y [J]	KOP10984C
	9A06235200	PCB , SUB	KUP10984Z
CN31	9A05894700	WAFER(5P)	KJP05GA01ZM
CN41	9A05329100	WAFER MOLEX 5267-03A	KJP03GA01ZM
D301	9A01390500	DIODE,1N4148MT	KVD1N4148MT
D701-707	9A05890300	LED,YELLOW SLR342YCF02	KVD342YCF02T085
D708	9A05195000	LED,RED SLR342VCF02	KVD342VCF02T085
D709-713	9A01390500	DIODE,1N4148MT	KVD1N4148MT
IC31.32	9A05195800	IC,MC4558S	KVIMC4558S
IC71	9A05834700	SENSOR REMOTE	KRVSR5SP
IC72	9A06862000	I.C ANAM1224A	BVIANAM1224A
JK31	9A05316900	JACK HTJ064-05BG	BJJ2E017Z
Q301	9A03811700	TR,KSD1021-YTA	KVTKSD1021YT
Q701-706	9A03745200	TR,KSR2206TA	KVTKSR2206T
Q707-712	9A05196900	TR,KSR1206TA	KVTKSR1206T
Q713-718	9A03745200	TR,KSR2206TA	KVTKSR2206T
Q721.722	9A03745200	TR,KSR2206TA	KVTKSR2206T
Q723-726	9A05196900	TR,KSR1206TA	KVTKSR1206T
Q727.728	9A03745200	TR,KSR2206TA	KVTKSR2206T
Q730-734	9A03745200	TR,KSR2206TA	KVTKSR2206T
Q735	9A05196900	TR,KSR1206TA	KVTKSR1206T
Q738.739	9A03811700	TR,KSD1021-YTA	KVTKSD1021YT
Q740.741	9A03747300	TR,KSB811-YTA	KVTKSB811YT
Q742-744	9A05196900	TR,KSR1206TA	KVTKSR1206T
Q745-747	9A03745200	TR,KSR2206TA	KVTKSR2206T
R330.331	△ 9A05338200	R,METAL OXIDE FILM 1W 390	KRG1ANJ391H
RY31	9A06224600	RELAY G5Z-2A-DC12V	BSL4A008ZE
S701.702	9A04882500	SW,TACT SKHV10910A	KST1A012ZT
SW71	9A06326800	SW ROTARY SRBV14065A	BSR4A003Z
SW72	9A06224700	VR , ENCODOR EC16B1210	BSR2A006Z
VR31-33	9A07240500	RES , VARIABLE [E]	BVV2W02B503Z
VR31-33	9A06236900	RES , VARIABLE [J]	KVV2W02B503Z
VR41	9A06237000	VOLUME, MOTOR RK6312MC282	KVV9A08A503Z
X701	9A05192900	CRYSTAL,	KOX04194E120C

For Service Manuals Contact
MAURITRON TECHNICAL SERVICES
 8 Cherry Tree Rd, Chinnor
 Oxon OX9 4QY
 Tel:- 01844-351694 Fax:- 01844-352554
 Email:- enquiries@mauritron.co.uk

POWER PCB ASS'Y

REF. NO.	PARTS NO.	DESCRIPTION	REMARKS
	9A07241700	POWER PCB ASS'Y	KOP11205D
	9A07242200	PCB, POWER	KUP11205Z
	9A06699800	SW, PUSH JRA1202F [E]	KSH1A005ZV
D501-504	9A06236300	DIODE, ZENER UZP20BM	KVDUZP20BM
D505-520	9A01390500	DIODE, 1N4148MT	KVD1N4148MT
D801.802	9A06224900	DIODE, BRIDGE PBU604F	BVDPBU604F
JK51.52	9A06230500	TETMINAL, SPEAKER	KJJ5N003Z
L501.502	9A04875100	COIL,	KLEYK1R8KA
Q501.502	9A05896000	TR, KTC2878B	KVTKTC2878BT
Q505.506	9A07240400	F.E.T, DUAL	BVT2N5566
Q509-512	9A05892800	TR, KTC3198YT	KVTKTC3198YT
Q513.514	9A05895900	TR, KTA1266YT	KVTKTA1266YT
Q515.516	9A05892800	TR, KTC3198YT	KVTKTA1266YT
Q517.518	9A05196700	TR, KSA916-Y-SHTA	KVTKSA916YT
Q519.520	9A05196800	TR, KSC2316-Y-SHTA	KVTKSC2316YT
Q521.522	9A05977200	TR, 2SD1585	BVT2SD1585L
Q523.524	9A05977600	TR, 2SC4883A	BVT2SC4883A
Q525.526	9A05977500	TR, 2SA1859A	BVT2SA1859A
Q527	△ 9A06676200	TR, POWER 2SC4467	BVT2SC4467
Q528	△ 9A06676200	TR, POWER 2SC4467	BVT2SC4467
Q529	△ 9A06676100	TR, POWER 2SA1694	BVT2SA1694
Q530	△ 9A06676100	TR, POWER 2SA1694	BVT2SA1694
Q531	△ 9A06676200	TR, POWER 2SC4467	BVT2SC4467
Q532	△ 9A06676200	TR, POWER 2SC4467	BVT2SC4467
Q533	△ 9A06676100	TR, POWER 2SA1694	BVT2SA1694
Q534	△ 9A06676100	TR, POWER 2SA1694	BVT2SA1694
Q535.536	△ 9A05892800	TR, KTC3198YT	KVTKTA1266YT
Q537.538	9A05197000	TR, KSR1210TA	KVTKSR1210T
Q539.540	9A05196900	TR, KSR1206TA	KVTKSR1206T
Q543.544	9A03747300	TR, KSB811-YTA	KVTKSB811YT
Q545.546	9A05196900	TR, KSR1206TA	KVTKSR1206T
R525.526	△ 9A06234500	RES, METAL OXIDE FILM	KRG1ANJ152H
R551.552	△ 9A06234600	RES, METAL OXIDE FILM	KRG1ANJ181H
R561-568	△ 9A05896300	R, 0.22-OHM, 5W	KRF5EKR22H
R577.578	△ 9A05896400	R, 4.7-OHM, 1W	KRG1ANJ4R7H
R579.580	△ 9A05338000	R, METAL OXIDE FILM 1W 10	KRG1ANJ100H
RY51.52	△ 9A06224600	RELAY G5Z-2A-DC12V	BSL4A008ZE
SW63	△ 9A07366300	POWER SWITCH ASS'Y [E]	KWZAH500ISW63
T801.802	9A06227300	PIN, G.T	KEL314P
TH51	9A06224400	POSISTOR PTH9M04BC471TS	BRTPTH9M04BC471
TH52	9A06224400	POSISTOR PTH9M04BC471TS	BRTPTH9M04BC471
VR53.54	9A07240300	RES, SEMI FIXED	BVNCC471B01